

TABULATION		
PART NO.	DESCRIPTION	GLOBAL FILTER MODEL NO.
21225-01	FLTR HSG ASSY, 4" FLG SISO GBFV82304F2 SER, 304 SS, CODE	GBFV82304F2415GBU
21225-02	FLTR HSG ASSY, 4" FLG SISO GBFV82304F2 SER, 304 SS	GBFV82304F2415GB
21225-03	FLTR HSG ASSY, 4" FLG SISO GBFV82304F2 SER, 316L SS, CODE	GBFV82304F2615GBU
21225-04	FLTR HSG ASSY, 4" FLG SISO GBFV82304F2 SER, 316L SS	GBFV82304F2615GB

SHIPPING WEIGHT AND SIZE MAY DIFFER FROM STATED VALUES DUE TO PALLETIZING AND QUANTITY CONSIDERATIONS		
VESSEL SIZE	BOXED WEIGHT (LBS)	BOX SIZE (INCHES)
SIZE 2	240	45 x 48 x 54

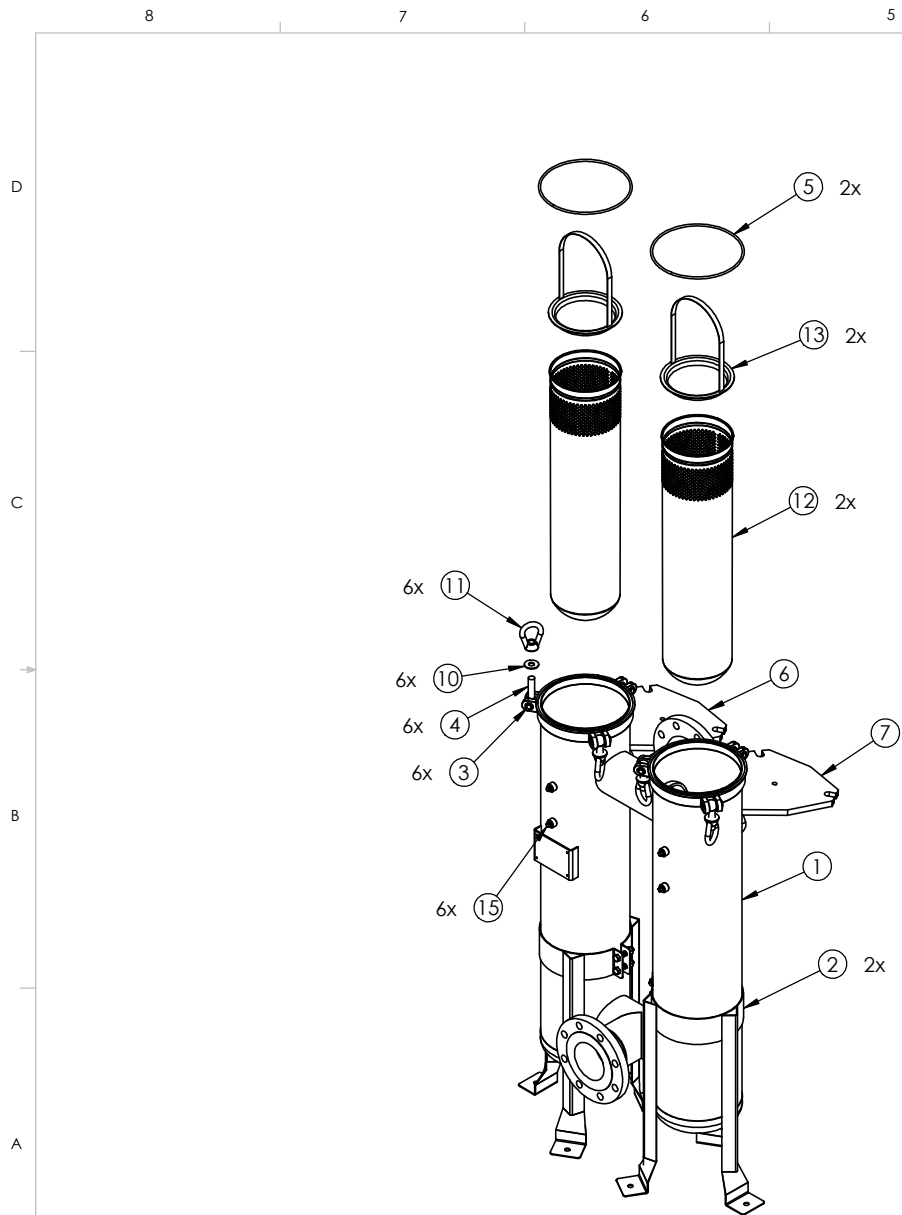
- NOTES:
- UNLESS TOLERANCES ARE INDICATED, ALL DIMENSIONS ARE REFERENCE.
 - ASME CODE STAMPED VESSELS WILL HAVE TWO NAME PLATE BRACKETS, NON-CODE STAMPED VESSELS WILL HAVE ONE ADHESIVE LABEL.

PROPRIETARY AND CONFIDENTIAL
 THE INFORMATION CONTAINED IN THIS DRAWING IS THE SOLE PROPERTY OF GLOBAL FILTER LLC. ANY REPRODUCTION IN PART OR AS A WHOLE WITHOUT THE WRITTEN PERMISSION OF GLOBAL FILTER LLC IS PROHIBITED.

REFERENCE ENGINEERING DRAWING 21225

MATERIAL		SEE TABULATION TABLE	
FINISH		GLASS BEAD	
REV	EC NUMBER	DRAWN BY	NAME DATE
B	EC210112-01	ME	8-23-18
A	EC180821-01	EG	8-31-18
EC HISTORY			

GLOBAL FILTER LLC			
TITLE: FLTR HSG ASSY, 4" FLG SISO GBFV82304F2 SER, TAB			
SIZE	DWG. NO.	REV	
B	CS180	B	
SCALE: 1:8	WEIGHT:	SHEET 1 OF 2	



BILL OF MATERIALS		21225-xx			
ITEM	DESCRIPTION	-01	-02	-03	-04
		QTY	QTY	QTY	QTY
1	WLDMNT, FLTR HSG, GBFV8230 4" FLG, 304 SS	1	1		
	WLDMNT, FLTR HSG, GBFV8230 4" FLG, 316 SS			1	1
2	LEG ASSEMBLY KIT, GBFV8 SERIES, 304 SS	2	2		
	LEG ASSEMBLY KIT, GBFV8 SERIES, 316 SS			2	2
3	CLEVIS PIN w/ RETAINING RINGS KIT	6	6	6	6
4	EYE BOLT, 5/8"-11 x 2-3/4" LONG, 304 SS	6	6		
	EYE BOLT, 5/8"-11 x 2-3/4" LONG, 316 SS			6	6
5	O-RING, METRIC 220mm ID x 5mm CS, NITRILE	2	2	2	2
6	WLDMNT, LEFT LID, GBFV8230 SERIES, 304 SS	1	1		
	WLDMNT, LEFT LID, GBFV8230 SERIES, 316 SS			1	1
7	WLDMNT, RIGHT LID, GBFV8230 SERIES, 304 SS	1	1		
	WLDMNT, RIGHT LID, GBFV8230 SERIES, 316 SS			1	1
8	LID HANDLE, GBFV8230 4" FLG SERIES, 304 SS	1	1		
	LID HANDLE, GBFV8230 4" FLG SERIES, 316 SS			1	1
9	SCREW, SOCKET HEAD CAP, 3/8" x 2"	2	2	2	2
10	WASHER, FLAT, 9/16" ID x 1-3/8" OD x 3/32 THK	6	6	6	6
11	EYE NUT, 5/8"-11, 304 SS	6	6	6	6
12	BASKET, ROUND BOTTOM, SIZE 2, 304 SS	2	2		
	BASKET, ROUND BOTTOM, SIZE 2, 316 SS			2	2
13	WELDMENT, BASKET HOLD DOWN, 304 SS	2	2		
	WELDMENT, BASKET HOLD DOWN, 316 SS			2	2
14	PIPE PLUG, 1" SQUARE HEAD, 304 SS	2	2		
	PIPE PLUG, 1" SQUARE HEAD, 316 SS			2	2
15	PIPE PLUG, 1/4" SQUARE HEAD, 304 SS	6	6		
	PIPE PLUG, 1/4" SQUARE HEAD, 316 SS			6	6

SIZE	DWG. NO.	REV
B	CS180	B
SCALE: 1:12	WEIGHT:	SHEET 2 OF 2