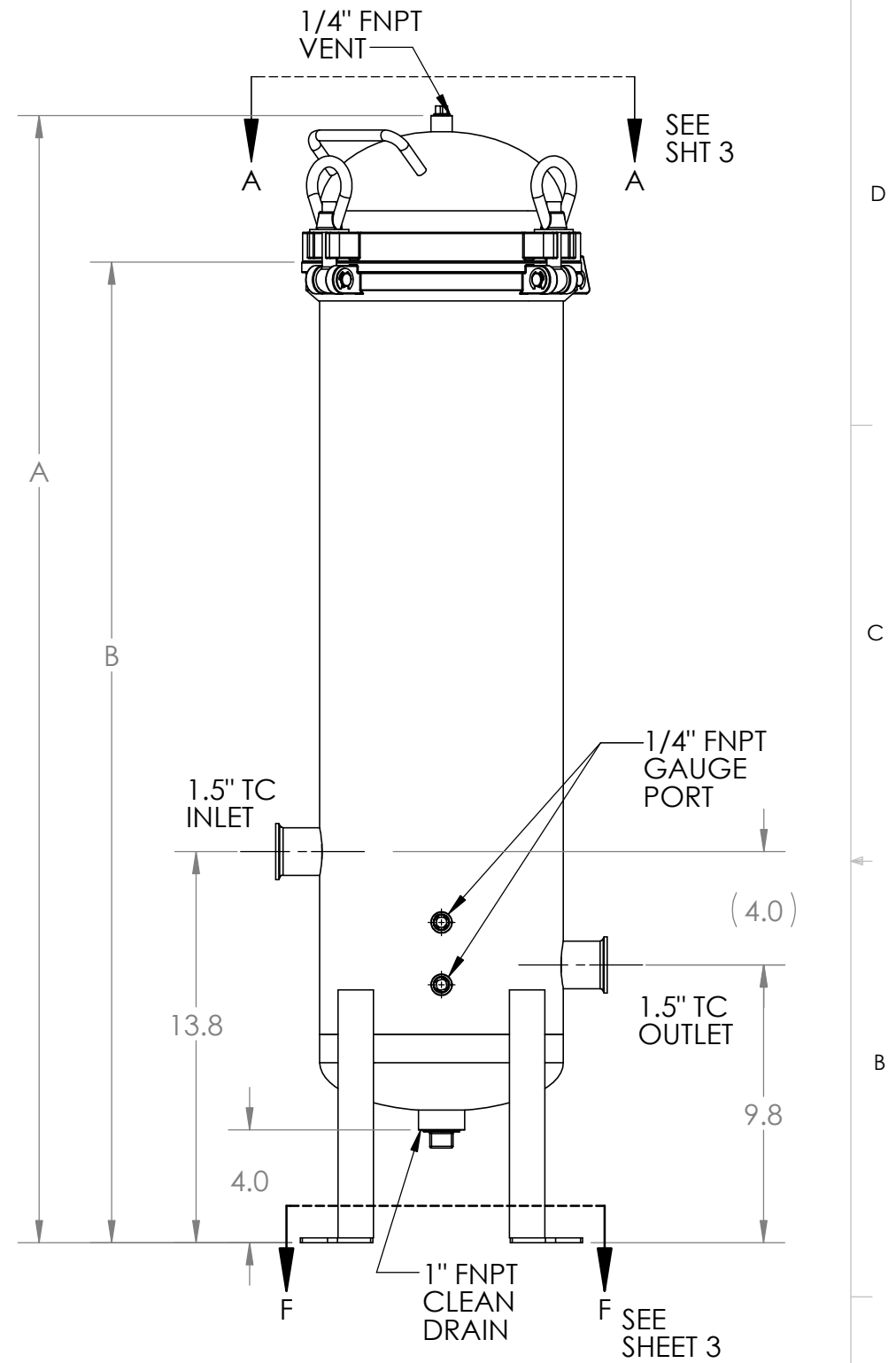
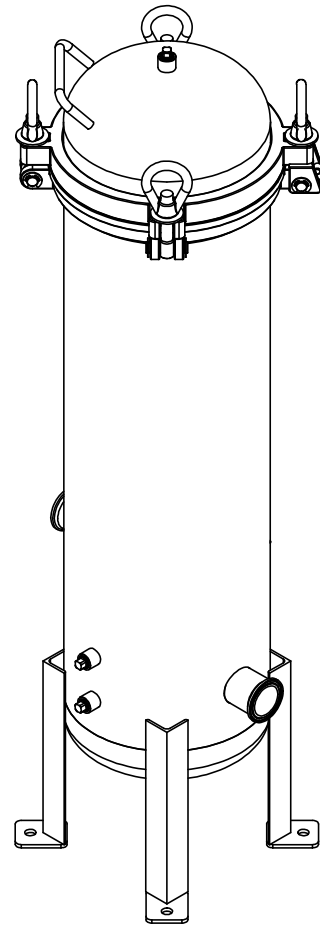


TABULATION		
PART NO.	DESCRIPTION	GLOBAL FILTER MODEL NO.
21167-01	FLTR HSG ASSY, GTCH5 SER, 20", 1.5T, 304 SS, GB, CODE	GTCH521.5T2415GBU
21167-02	FLTR HSG ASSY, GTCH5 SER, 20", 1.5T, 304 SS, GB	GTCH521.5T2415GB
21167-03	FLTR HSG ASSY, GTCH5 SER, 30", 1.5T, 304 SS, GB, CODE	GTCH531.5T2415GBU
21167-04	FLTR HSG ASSY, GTCH5 SER, 30", 1.5T, 304 SS, GB	GTCH531.5T2415GB
21167-05	FLTR HSG ASSY, GTCH5 SER, 40", 1.5T, 304 SS, GB, CODE	GTCH541.5T2415GBU
21167-06	FLTR HSG ASSY, GTCH5 SER, 40", 1.5T, 304 SS, GB	GTCH541.5T2415GB
21167-07	FLTR HSG ASSY, GTCH5 SER, 20", 1.5T, 316 SS, GB, CODE	GTCH521.5T2615GBU
21167-08	FLTR HSG ASSY, GTCH5 SER, 20", 1.5T, 316 SS, GB	GTCH521.5T2615GB
21167-09	FLTR HSG ASSY, GTCH5 SER, 30", 1.5T, 316 SS, GB, CODE	GTCH531.5T2615GBU
21167-10	FLTR HSG ASSY, GTCH5 SER, 30", 1.5T, 316 SS, GB	GTCH531.5T2615GB
21167-11	FLTR HSG ASSY, GTCH5 SER, 40", 1.5T, 316 SS, GB, CODE	GTCH541.5T2615GBU
21167-12	FLTR HSG ASSY, GTCH5 SER, 40", 1.5T, 316 SS, GB	GTCH541.5T2615GB
21167-13	FLTR HSG ASSY, GTCH5 SER, 20", 1.5T, 304 SS, EP, CODE	GTCH521.5T2415EPU
21167-14	FLTR HSG ASSY, GTCH5 SER, 20", 1.5T, 304 SS, EP	GTCH521.5T2415EP
21167-15	FLTR HSG ASSY, GTCH5 SER, 30", 1.5T, 304 SS, EP, CODE	GTCH531.5T2415EPU
21167-16	FLTR HSG ASSY, GTCH5 SER, 30", 1.5T, 304 SS, EP	GTCH531.5T2415EP
21167-17	FLTR HSG ASSY, GTCH5 SER, 40", 1.5T, 304 SS, EP, CODE	GTCH541.5T2415EPU
21167-18	FLTR HSG ASSY, GTCH5 SER, 40", 1.5T, 304 SS, EP	GTCH541.5T2415EP
21167-19	FLTR HSG ASSY, GTCH5 SER, 20", 1.5T, 316 SS, EP, CODE	GTCH521.5T2615EPU
21167-20	FLTR HSG ASSY, GTCH5 SER, 20", 1.5T, 316 SS, EP	GTCH521.5T2615EP
21167-21	FLTR HSG ASSY, GTCH5 SER, 30", 1.5T, 316 SS, EP, CODE	GTCH531.5T2615EPU
21167-22	FLTR HSG ASSY, GTCH5 SER, 30", 1.5T, 316 SS, EP	GTCH531.5T2615EP
21167-23	FLTR HSG ASSY, GTCH5 SER, 40", 1.5T, 316 SS, EP, CODE	GTCH541.5T2615EPU
21167-24	FLTR HSG ASSY, GTCH5 SER, 40", 1.5T, 316 SS, EP	GTCH541.5T2615EP

SHIPPING WEIGHT AND SIZE MAY DIFFER FROM STATED VALUES DUE TO PALLETIZING AND QUANTITY CONSIDERATIONS		
VESSEL SIZE	BOXED WEIGHT (LBS)	BOX SIZE (INCHES)
GTCH52-		14 x 14 x 40
GTCH53-		14 x 14 x 50
GTCH54-		14 x 14 x 60

- NOTES:
- SEE SHEET 2 FOR BILL OF MATERIALS.
 - ALL MODELS COMPLY WITH REQUIREMENTS FOR DESIGN AND CONSTRUCTION IN ACCORDANCE WITH THE ASME BOILER & PRESSURE VESSEL CODE, SECTION VIII, DIVISION 1. MODELS BEARING THE "U" OR "UM" STAMP ARE REGISTERED WITH THE NATIONAL BOARD OF BOILER AND PRESSURE VESSEL INSPECTORS.

DIMENSIONS		
MODEL NO.	A (in)	B (in)
GTCH52-	38	34.6
GTCH53-	48	44.6
GTCH54-	58	54.6



REFERENCE ENGINEERING DRAWING 21167

				GLOBAL FILTER LLC TITLE: FLTR HSG ASSY, 1.5" TC SISO GTCH5 SER, TAB	
		MATERIAL SEE TABULATION TABLE			
		FINISH SEE TABULATION TABLE		SIZE	DWG. NO.
		REV		B	CS115
		EC HISTORY		SCALE: 1:6	WEIGHT: 60 lbs.
				SHEET 1 OF 3	

PROPRIETARY AND CONFIDENTIAL
 THE INFORMATION CONTAINED IN THIS DRAWING IS THE SOLE PROPERTY OF GLOBAL FILTER LLC. ANY REPRODUCTION IN PART OR AS A WHOLE WITHOUT THE WRITTEN PERMISSION OF GLOBAL FILTER LLC IS PROHIBITED.

BILL OF MATERIALS

ITEM	DESCRIPTION	21167-xx																							
		-01 QTY	-02 QTY	-03 QTY	-04 QTY	-05 QTY	-06 QTY	-07 QTY	-08 QTY	-09 QTY	-10 QTY	-11 QTY	-12 QTY	-13 QTY	-14 QTY	-15 QTY	-16 QTY	-17 QTY	-18 QTY	-19 QTY	-20 QTY	-21 QTY	-22 QTY	-23 QTY	-24 QTY
D 1	FLTR HSG WLDMNT, 1.5" TC SISO GTCH5 SER, 20" 304 SS	1	1											1	1										
	FLTR HSG WLDMNT, 1.5" TC SISO GTCH5 SER, 30" 304 SS			1	1											1	1								
	FLTR HSG WLDMNT, 1.5" TC SISO GTCH5 SER, 40" 304 SS					1	1											1	1						
	FLTR HSG WLDMNT, 1.5" TC SISO GTCH5 SER, 20" 316 SS							1	1											1	1				
	FLTR HSG WLDMNT, 1.5" TC SISO GTCH5 SER, 30" 316 SS									1	1											1	1		
	FLTR HSG WLDMNT, 1.5" TC SISO GTCH5 SER, 40" 316 SS											1	1											1	1
2	O-RING, METRIC 224 ID X 7 CS, NITRILE	1	1	1	1	1	1	1	1	1	1	1	1	1	1	1	1	1	1	1	1	1	1	1	
3	LID WELDMENT, GTCH5 SERIES, 304 SS	1	1	1	1	1	1							1	1	1	1	1	1						
	LID WELDMENT, GTCH5 SERIES, 316 SS							1	1	1	1	1	1							1	1	1	1	1	
4	KIT, CLEVIS PEN w/ RETAINING RINGS, 15/32 x 1.75"	2	2	2	2	2	2	2	2	2	2	2	2	2	2	2	2	2	2	2	2	2	2	2	
5	EYE BOLT, 5/8"	4	4	4	4	4	4	4	4	4	4	4	4	4	4	4	4	4	4	4	4	4	4	4	
6	WASHER, FLAT, SS	4	4	4	4	4	4	4	4	4	4	4	4	4	4	4	4	4	4	4	4	4	4	4	
7	EYE NUT, 5/8"-11	4	4	4	4	4	4	4	4	4	4	4	4	4	4	4	4	4	4	4	4	4	4	4	
C 8	V-POST, GTCHB SERIES, 20", 304 SS	5	5											5	5										
	V-POST, GTCHB SERIES, 30", 304 SS			5	5											5	5								
	V-POST, GTCHB SERIES, 40", 304 SS					5	5											5	5						
	V-POST, GTCHB SERIES, 20", 316 SS							5	5											5	5				
	V-POST, GTCHB SERIES, 30", 316 SS									5	5											5	5		
	V-POST, GTCHB SERIES, 40", 316 SS											5	5										5	5	
9	TIE ROD, GTCH SERIES, 20", 304 SS	1	1											1	1										
	TIE ROD, GTCH SERIES, 30", 304 SS			1	1											1	1								
	TIE ROD, GTCH SERIES, 40", 304 SS					1	1											1	1						
	TIE ROD, GTCH SERIES, 20", 316 SS							1	1											1	1				
	TIE ROD, GTCH SERIES, 30", 316 SS									1	1											1	1		
	TIE ROD, GTCH SERIES, 40", 316 SS											1	1										1	1	
B 10	SPRING ASSEMBLY, CARTRIDGE VESSELS, 304 SS	5	5	5	5	5	5							5	5	5	5	5	5						
	SPRING ASSEMBLY, CARTRIDGE VESSELS, 316 SS							5	5	5	5	5	5							5	5	5	5	5	
11	HOLD DOWN PLT POST w/ EXT RET RINGS KIT, 304 SS	1	1	1	1	1	1							1	1	1	1	1	1						
	HOLD DOWN PLT POST w/ EXT RET RINGS KIT, 316 SS							1	1	1	1	1	1							1	1	1	1	1	
12	HOLD DOWN PLT, CLOSED & DOE, GTCH5 SER, 304 SS	1	1	1	1	1	1							1	1	1	1	1	1						
	HOLD DOWN PLT, CLOSED & DOE, GTCH5 SER, 316 SS							1	1	1	1	1	1							1	1	1	1	1	
13	HOLD DOWN FIN CTG, GTCH5 SER, 304 SS	1	1	1	1	1	1							1	1	1	1	1	1						
	HOLD DOWN FIN CTG, GTCH5 SER, 316 SS							1	1	1	1	1	1							1	1	1	1	1	
14	TIE ROD NUT, GTCHB SERIES, 304 SS	1	1	1	1	1	1							1	1	1	1	1	1						
	TIE ROD NUT, GTCHB SERIES, 316 SS							1	1	1	1	1	1							1	1	1	1	1	
15	PIPE PLUG, 1" HEX HEAD, 304 SS	2	2	2	2	2	2							2	2	2	2	2	2						
	PIPE PLUG, 1" HEX HEAD, 316 SS							2	2	2	2	2	2							2	2	2	2	2	
16	PIPE PLUG, 1/4" HEX HEAD, 304 SS	3	3	3	3	3	3							3	3	3	3	3	3						
	PIPE PLUG, 1/4" HEX HEAD, 316 SS							3	3	3	3	3	3							3	3	3	3	3	
A 17	KIT, CLEVIS PEN w/ RETAINING RINGS, 15-32 x 2.50"	1	1	1	1	1	1	1	1	1	1	1	1	1	1	1	1	1	1	1	1	1	1	1	

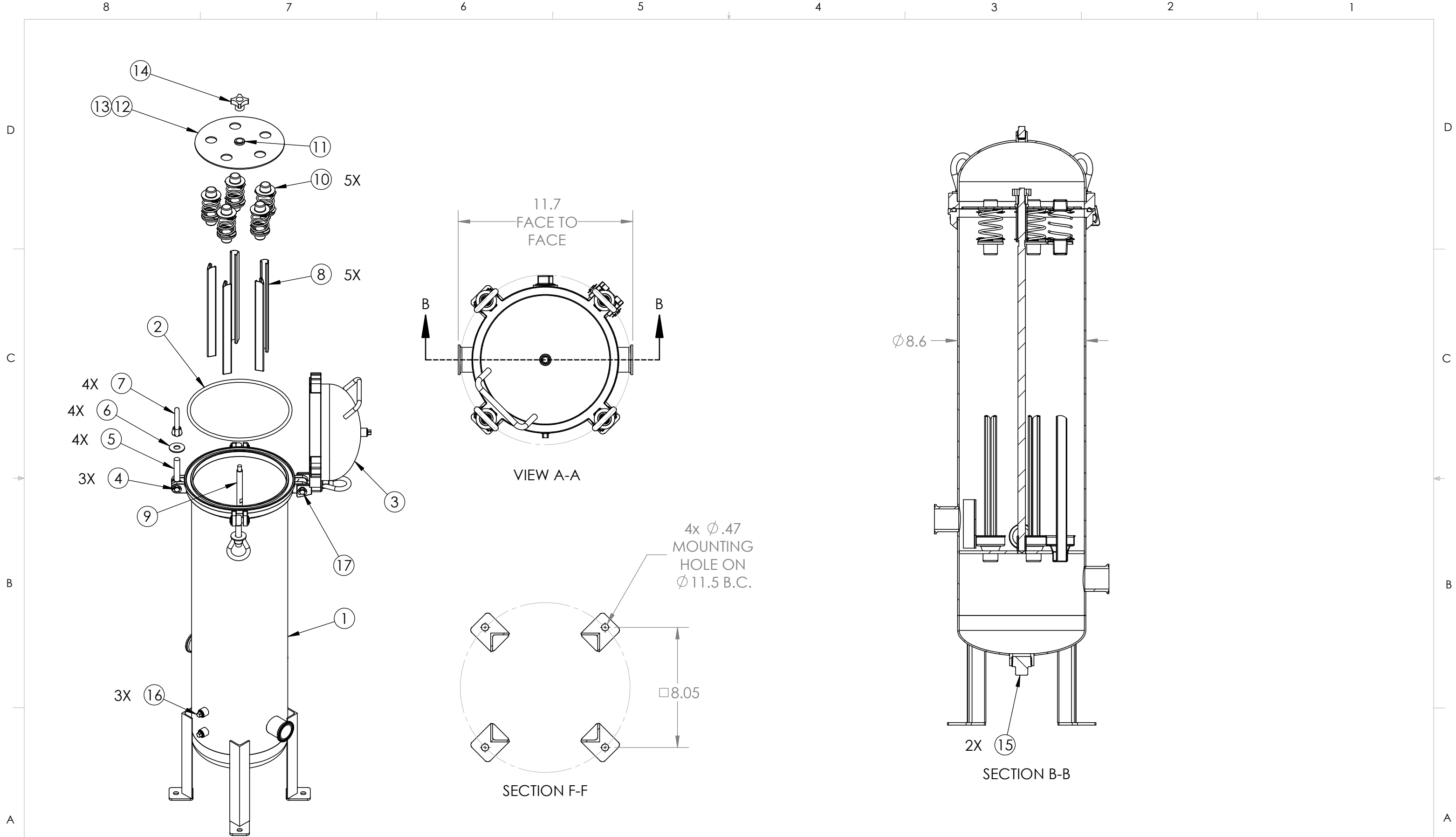
D

C

B

A

SIZE B	DWG. NO. CS115	REV B
SCALE: 1:1	WEIGHT:	SHEET 2 OF 3



SCALE 1 : 6

SIZE B	DWG. NO. CS115	REV B
SCALE: 1:6	WEIGHT:	SHEET 3 OF 3