

GSTL-Series Single Sanitary Cartridge Liquid Filter Vessels

GSTL-Series Single-Sanitary Cartridge Liquid Filter Vessels are suited for a wide variety of filtration applications where full sanitary vessels are required. V-band clamp closure provides easy access for change out. Available in 316 stainless steel, and rated for 9,5 bar service.

Features

- Sanitary V-band closure operates easily and seals tightly
- Excellent cleanability with crevice-free welding and internal mirror electropolished (EP) finish, Ra <0.63µm
- Suitable for steam-in-place (SIP) and clean-in-place (CIP) processes
- Designed for 222 or 226 cartridge end cap configuration
- Standard with 1" TC ASME BPE inlet and outlet and 1/2" TC ASME BPE vent
- 1/2" TC inlet side drain port allows for complete evacuation prior to change-out
- Available in 5", 10", 20", 30" and 40" lengths
- 316 stainless steel construction
- Silicone seal (standard)
- 9,5 bar pressure rating at maximum 100° C use
- T-style port design

Alternate Seal Materials (Sold Separately)

- EPDM
- Viton® FKM

Applications

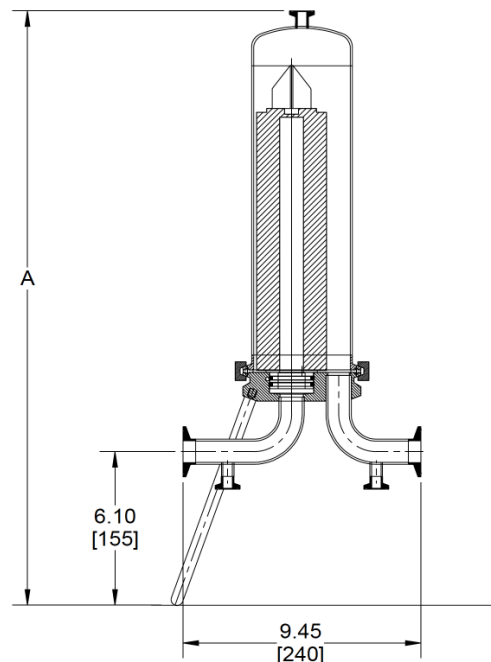
- High-purity water systems
- Active Pharmaceutical Ingredients
- Fine chemicals
- Wine, beer & spirits
- Blood & serum
- Cell culture media & diagnostics

Regulatory Compliance

Complies with PED 2014/68/CE article 4§3

- Suitable for use with non-hazardous liquids
- Suitable for use with hazardous liquids; hazardous or non-hazardous gases within restrictions

Contact your Global Filter representative for complete information on limits of use.



NOMINAL LENGTH	OAL "A"
5"	18.7" (475mm)
10"	23.6" (600mm)
20"	33.5" (850mm)
30"	43.3" (1,100mm)
40"	53.2" (1,350mm)

Ordering Information

GSTL	Length	Inlet/Outlet Size	End Configuration	Material	Pressure Rating	Surface Finish
	05 = 5"	1T = 1" TC ASME BPE	2 = 222 Fin or Flat	6 = 316	15 = 9,5 bar	EP
	1 = 10"		6 = 226 Fin or Flat			
	2 = 20"					
	3 = 30"					
	4 = 40"					

DISCLAIMER: Filtration data presented is representative of performance observed in controlled laboratory testing. It is not given as a warranty, specification or statement of fitness for use. Specific performance can vary widely depending on contaminant type, fluid properties, flow rates and environmental conditions. It is recommended that users conduct thorough qualification testing to assure the product functions as required.

DS_GSTL_210601