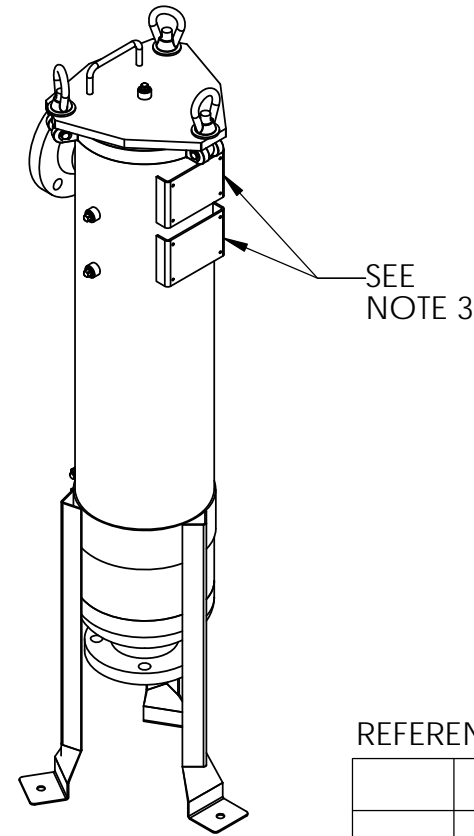
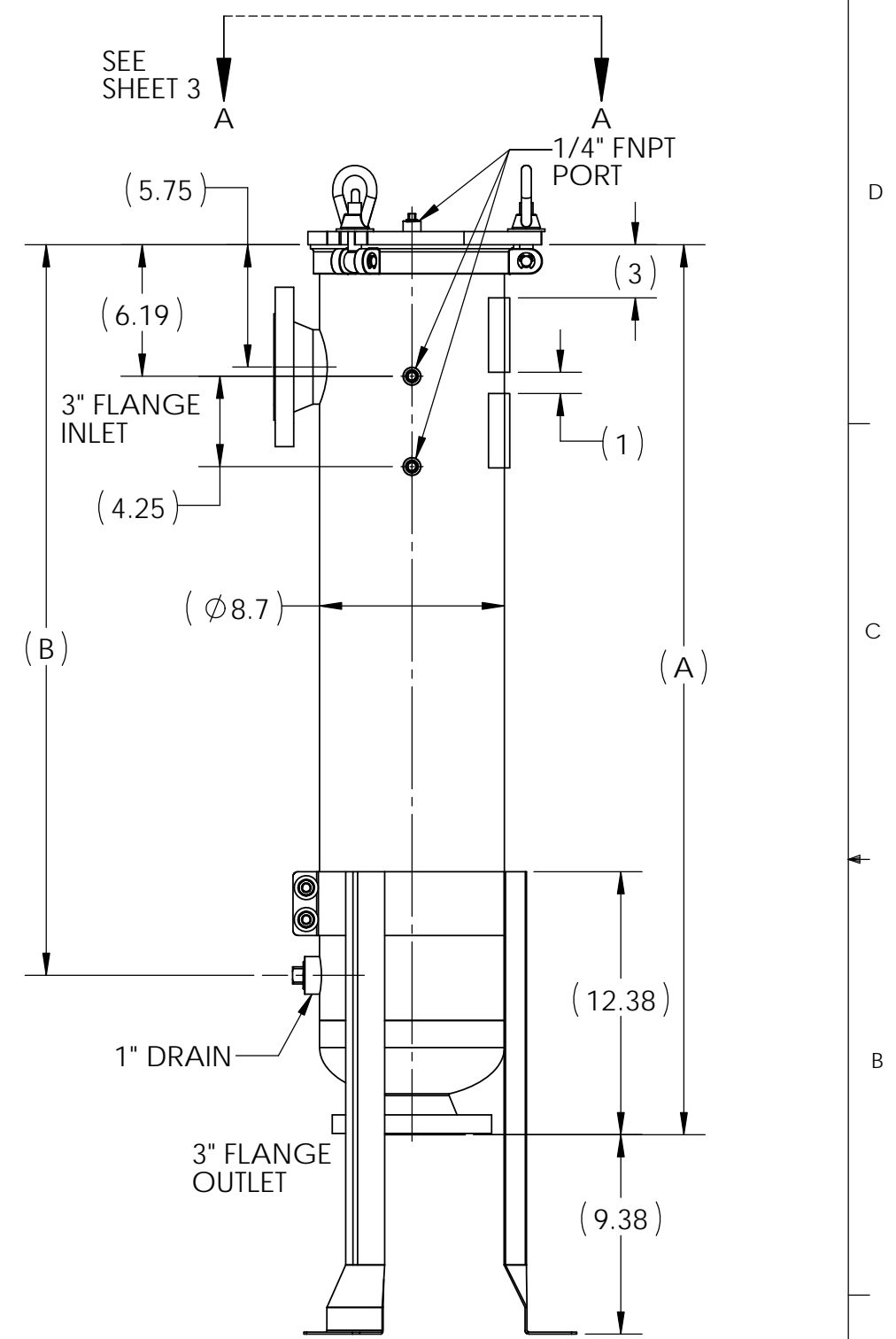


TABULATION			
DESCRIPTION	GLOBAL FILTER MODEL NO.	DIM A (INCHES)	DIM B (INCHES)
FLTR HSG ASSY, 3" FLG SIBO, SIZE 1, 304 SS, GLASS BEAD	GBFV8153F1415GB	25.44	19.16
FLTR HSG ASSY, 3" FLG SIBO, SIZE 1, 304 SS, GLASS BEAD, CODE	GBFV8153F1415GBU		
FLTR HSG ASSY, 3" FLG SIBO, SIZE 1, 304 SS, ELECTROPOLISH	GBFV8153F1415EP		
FLTR HSG ASSY, 3" FLG SIBO, SIZE 1, 304 SS, ELECTROPOLISH, CODE	GBFV8153F1415EPU		
FLTR HSG ASSY, 3" FLG SIBO, SIZE 1, 316 SS, GLASS BEAD	GBFV8153F1615GB		
FLTR HSG ASSY, 3" FLG SIBO, SIZE 1, 316 SS, GLASS BEAD, CODE	GBFV8153F1615GBU		
FLTR HSG ASSY, 3" FLG SIBO, SIZE 1, 316 SS, ELECTROPOLISH	GBFV8153F1615EP		
FLTR HSG ASSY, 3" FLG SIBO, SIZE 1, 316 SS, ELECTROPOLISH, CODE	GBFV8153F1615EPU		
FLTR HSG ASSY, 3" FLG SIBO, SIZE 2, 304 SS, GLASS BEAD	GBFV8303F1415GB	41.88	34.38
FLTR HSG ASSY, 3" FLG SIBO, SIZE 2, 304 SS, GLASS BEAD, CODE	GBFV8303F1415GBU		
FLTR HSG ASSY, 3" FLG SIBO, SIZE 2, 304 SS, ELECTROPOLISH	GBFV8303F1415EP		
FLTR HSG ASSY, 3" FLG SIBO, SIZE 2, 304 SS, ELECTROPOLISH, CODE	GBFV8303F1415EPU		
FLTR HSG ASSY, 3" FLG SIBO, SIZE 2, 316 SS, GLASS BEAD	GBFV8303F1615GB		
FLTR HSG ASSY, 3" FLG SIBO, SIZE 2, 316 SS, GLASS BEAD, CODE	GBFV8303F1615GBU		
FLTR HSG ASSY, 3" FLG SIBO, SIZE 2, 316 SS, ELECTROPOLISH	GBFV8303F1615EP		
FLTR HSG ASSY, 3" FLG SIBO, SIZE 2, 316 SS, ELECTROPOLISH, CODE	GBFV8303F1615EPU		



SHIPPING WEIGHT AND SIZE MAY DIFFER FROM STATED VALUES DUE TO PALLETIZING AND QUANTITY CONSIDERATIONS

VESSEL SIZE	BOXED WEIGHT (LBS)	BOX SIZE (INCHES)
SIZE 1	101	16 x 16 x 45
SIZE 2	106	16 x 16 x 50

- NOTES:
- SEE SHEET 2 FOR BILL OF MATERIALS.
 - ALL MODELS COMPLY WITH REQUIREMENTS FOR DESIGN AND CONSTRUCTION IN ACCORDANCE WITH THE ASME BOILER & PRESSURE VESSEL CODE, SECTION VIII, DIVISION 1. MODELS BEARING THE "U" OR "UM" STAMP ARE REGISTERED WITH THE NATIONAL BOARD OF BOILER AND PRESSURE VESSEL INSPECTORS.
 - ASME CODE STAMPED VESSELS WILL HAVE TWO NAME PLATE BRACKETS, NON-CODE STAMPED VESSELS WILL HAVE ONE ADHESIVE LABEL.

PROPRIETARY AND CONFIDENTIAL
 THE INFORMATION CONTAINED IN THIS DRAWING IS THE SOLE PROPERTY OF GLOBAL FILTER LLC. ANY REPRODUCTION IN PART OR AS A WHOLE WITHOUT THE WRITTEN PERMISSION OF GLOBAL FILTER LLC IS PROHIBITED.

REFERENCE ENGINEERING DRAWING 21136

				GLOBAL FILTER LLC TITLE: FLTR HSG ASSY, 3" FLG SIBO GBFV8 SER, TAB	
		MATERIAL SEE TABULATION TABLE			
		FINISH SEE TABULATION TABLE		SIZE B DWG. NO. CS070	REV A
A	EC140812-01	NAME	DATE		
REV	EC NUMBER	DRAWN BY	ME 8-29-14	SCALE: 1:8	
EC HISTORY		ENG APPR.	EG 8-29-14	WEIGHT:	SHEET 1 OF 3

BILL OF MATERIALS

ITEM	DESCRIPTION	CS070-xx															
		-01 QTY	-02 QTY	-03 QTY	-04 QTY	-05 QTY	-06 QTY	-07 QTY	-08 QTY	-09 QTY	-10 QTY	-11 QTY	-12 QTY	-13 QTY	-14 QTY	-15 QTY	-16 QTY
1	FLTR HSG WLDMNT, 3" FLG SIBO SIZE 1 304 SS, GBFV8	1	1	1	1												
	FLTR HSG WLDMNT, 3" FLG SIBO SIZE 2 304 SS, GBFV8									1	1	1	1				
	FLTR HSG WLDMNT, 3" FLG SIBO SIZE 1 316 SS, GBFV8					1	1	1	1								
	FLTR HSG WLDMNT, 3" FLG SIBO SIZE 2 316 SS, GBFV8													1	1	1	1
2	LEG ASSEMBLY KIT, 304 SS, GBFV8	1	1	1	1					1	1	1	1				
	LEG ASSEMBLY KIT, 316 SS, GBFV8					1	1	1	1					1	1	1	1
3	CLEVIS PIN WITH RETAINING RINGS KIT	3	3	3	3	3	3	3	3	3	3	3	3	3	3	3	3
4	EYE BOLT, 5/8"-11 x 2 3/4" LONG	3	3	3	3	3	3	3	3	3	3	3	3	3	3	3	3
5	O-RING, -220, NITRILE 70	1	1	1	1	1	1	1	1	1	1	1	1	1	1	1	1
6	LID WELDMENT, 304 SS, GBFV8	1	1	1	1					1	1	1	1				
	LID WELDMENT, 316 SS, GBFV8					1	1	1	1					1	1	1	1
7	WASHER, FLAT, 5/8" ID x 1 3/4" OD x 1/8" THK	3	3	3	3	3	3	3	3	3	3	3	3	3	3	3	3
8	EYE NUT, 5/8"-11	3	3	3	3	3	3	3	3	3	3	3	3	3	3	3	3
9	BASKET, ROUND BOTTOM, SIZE 1, STD 304 SS	1	1	1	1												
	BASKET, ROUND BOTTOM, SIZE 2, STD 304 SS									1	1	1	1				
	BASKET, ROUND BOTTOM, SIZE 1, STD 316 SS					1	1	1	1								
	BASKET, ROUND BOTTOM, SIZE 2, STD 316 SS													1	1	1	1
10	WELDMENT, BASKET HOLD DOWN, 304 SS, GBFV8	1	1	1	1					1	1	1	1				
	WELDMENT, BASKET HOLD DOWN, 316 SS, GBFV8					1	1	1	1					1	1	1	1
11	PIPE PLUG, 1" HEX HEAD, 304 SS	1	1	1	1					1	1	1	1				
	PIPE PLUG, 1" HEX HEAD, 316 SS					1	1	1	1					1	1	1	1
12	PIPE PLUG, 1/4" HEX HEAD, 304 SS	3	3	3	3					3	3	3	3				
	PIPE PLUG, 1/4" HEX HEAD, 316 SS					3	3	3	3					3	3	3	3

D

D

C

C

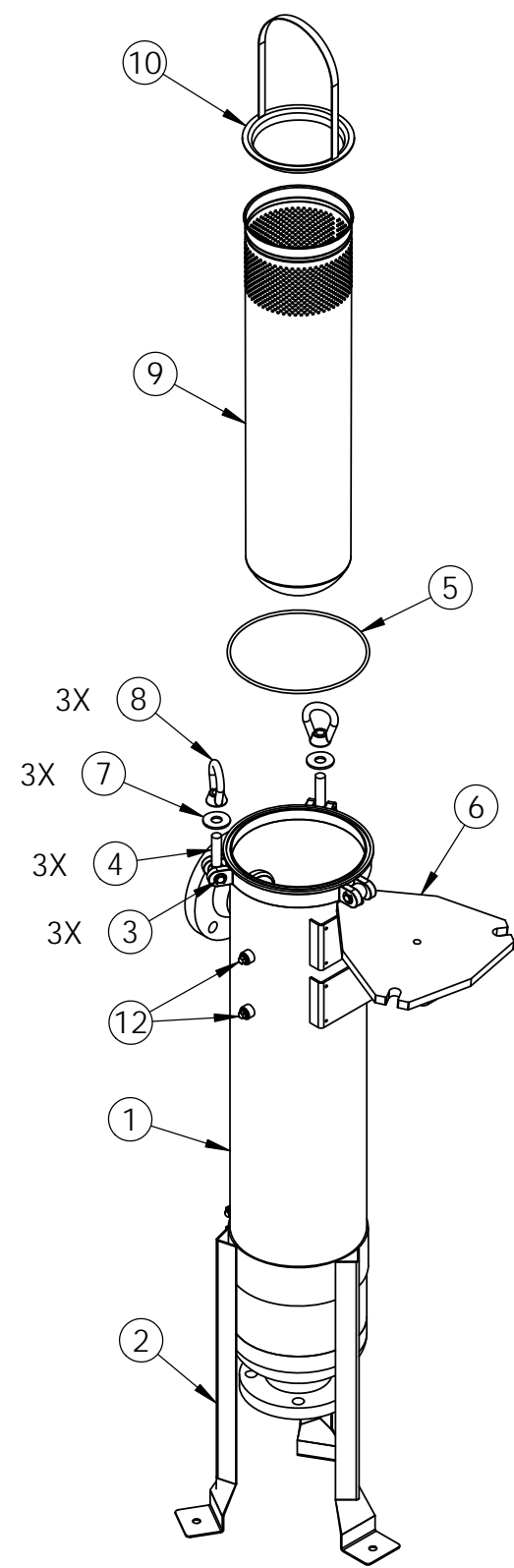
B

B

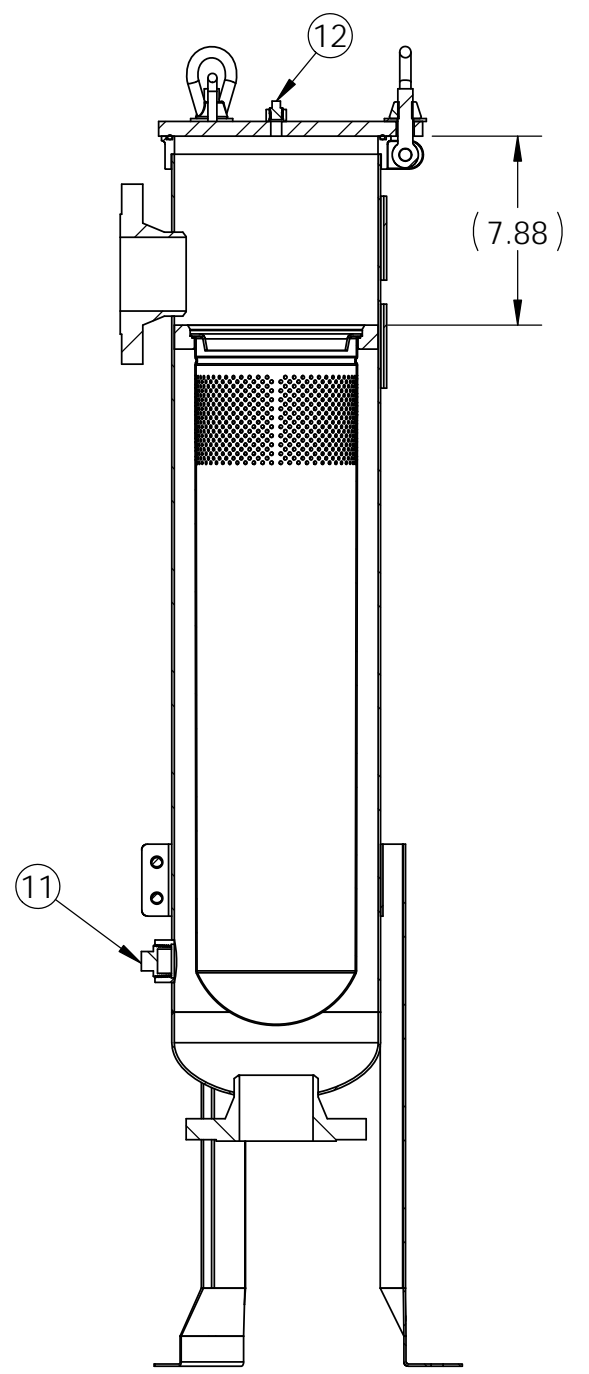
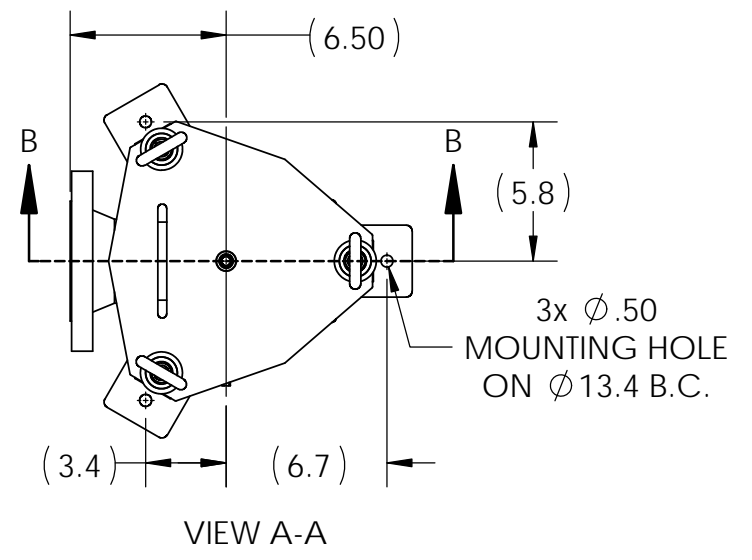
A

A

SIZE B	DWG. NO. CS070	REV A
SCALE: 1:1	WEIGHT:	SHEET 2 OF 3



SCALE 1:12



SECTION B-B

SIZE B	DWG. NO. CS070	REV A
SCALE: 1:8	WEIGHT:	SHEET 3 OF 3