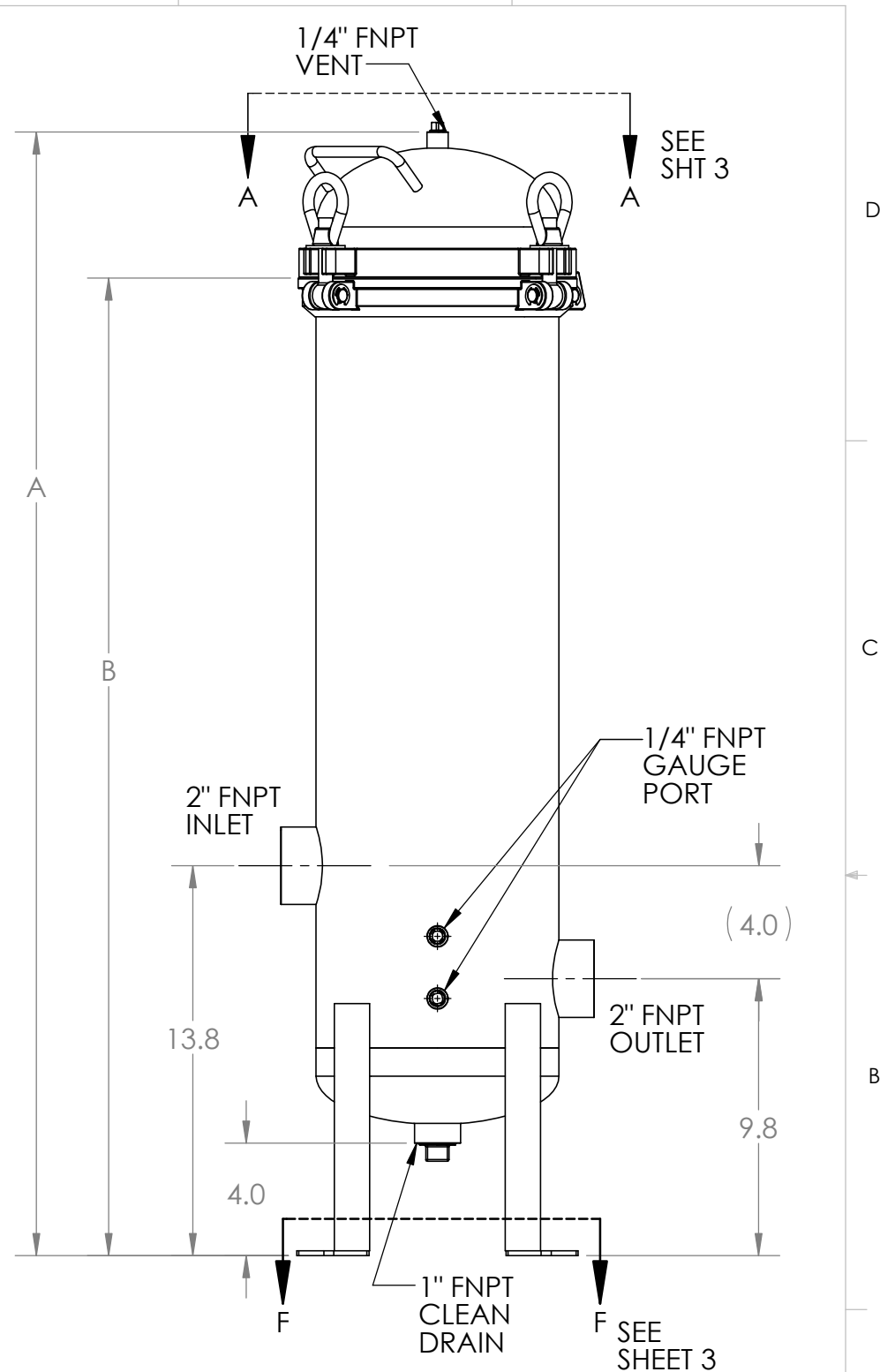
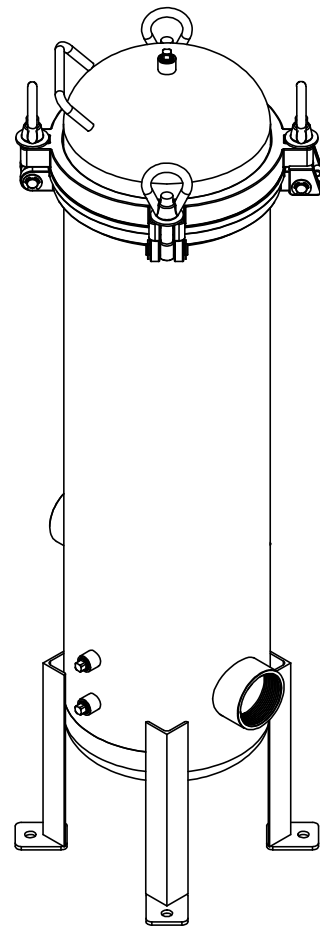


TABULATION		
PART NO.	DESCRIPTION	GLOBAL FILTER MODEL NO.
21263-01	FLTR HSG ASSY, GTCH5 SER, 20", 2N, 304 SS, GB, CODE	GTCH522N2415GBU
21263-02	FLTR HSG ASSY, GTCH5 SER, 20", 2N, 304 SS, GB	GTCH522N2415GB
21263-03	FLTR HSG ASSY, GTCH5 SER, 30", 2N, 304 SS, GB, CODE	GTCH532N2415GBU
21263-04	FLTR HSG ASSY, GTCH5 SER, 30", 2N, 304 SS, GB	GTCH532N2415GB
21263-05	FLTR HSG ASSY, GTCH5 SER, 40", 2N, 304 SS, GB, CODE	GTCH542N2415GBU
21263-06	FLTR HSG ASSY, GTCH5 SER, 40", 2N, 304 SS, GB	GTCH542N2415GB
21263-07	FLTR HSG ASSY, GTCH5 SER, 20", 2N, 316 SS, GB, CODE	GTCH522N2615GBU
21263-08	FLTR HSG ASSY, GTCH5 SER, 20", 2N, 316 SS, GB	GTCH522N2615GB
21263-09	FLTR HSG ASSY, GTCH5 SER, 30", 2N, 316 SS, GB, CODE	GTCH532N2615GBU
21263-10	FLTR HSG ASSY, GTCH5 SER, 30", 2N, 316 SS, GB	GTCH532N2615GB
21263-11	FLTR HSG ASSY, GTCH5 SER, 40", 2N, 316 SS, GB, CODE	GTCH542N2615GBU
21263-12	FLTR HSG ASSY, GTCH5 SER, 40", 2N, 316 SS, GB	GTCH542N2615GB
21263-13	FLTR HSG ASSY, GTCH5 SER, 20", 2N, 304 SS, EP, CODE	GTCH522N2415EPU
21263-14	FLTR HSG ASSY, GTCH5 SER, 20", 2N, 304 SS, EP	GTCH522N2415EP
21263-15	FLTR HSG ASSY, GTCH5 SER, 30", 2N, 304 SS, EP, CODE	GTCH532N2415EPU
21263-16	FLTR HSG ASSY, GTCH5 SER, 30", 2N, 304 SS, EP	GTCH532N2415EP
21263-17	FLTR HSG ASSY, GTCH5 SER, 40", 2N, 304 SS, EP, CODE	GTCH542N2415EPU
21263-18	FLTR HSG ASSY, GTCH5 SER, 40", 2N, 304 SS, EP	GTCH542N2415EP
21263-19	FLTR HSG ASSY, GTCH5 SER, 20", 2N, 316 SS, EP, CODE	GTCH522N2615EPU
21263-20	FLTR HSG ASSY, GTCH5 SER, 20", 2N, 316 SS, EP	GTCH522N2615EP
21263-21	FLTR HSG ASSY, GTCH5 SER, 30", 2N, 316 SS, EP, CODE	GTCH532N2615EPU
21263-22	FLTR HSG ASSY, GTCH5 SER, 30", 2N, 316 SS, EP	GTCH532N2615EP
21263-23	FLTR HSG ASSY, GTCH5 SER, 40", 2N, 316 SS, EP, CODE	GTCH542N2615EPU
21263-24	FLTR HSG ASSY, GTCH5 SER, 40", 2N, 316 SS, EP	GTCH542N2615EP

SHIPPING WEIGHT AND SIZE MAY DIFFER FROM STATED VALUES DUE TO PALLETIZING AND QUANTITY CONSIDERATIONS		
VESSEL SIZE	BOXED WEIGHT (LBS)	BOX SIZE (INCHES)
GTCH52-		14 x 14 x 40
GTCH53-		14 x 14 x 50
GTCH54-		14 x 14 x 60

DIMENSIONS		
MODEL NO.	A (in)	B (in)
GTCH52-	38	34.6
GTCH53-	48	44.6
GTCH54-	58	54.6



- NOTES:
- UNLESS TOLERANCES ARE INDICATED, ALL DIMENSIONS ARE REFERENCE.
 - SEE SHEET 2 FOR BILL OF MATERIALS.
 - ALL MODELS COMPLY WITH REQUIREMENTS FOR DESIGN AND CONSTRUCTION IN ACCORDANCE WITH THE ASME BOILER & PRESSURE VESSEL CODE, SECTION VIII, DIVISION 1. MODELS BEARING THE "U" OR "UM" STAMP ARE REGISTERED WITH THE NATIONAL BOARD OF BOILER AND PRESSURE VESSEL INSPECTORS.

PROPRIETARY AND CONFIDENTIAL
 THE INFORMATION CONTAINED IN THIS DRAWING IS THE SOLE PROPERTY OF GLOBAL FILTER LLC. ANY REPRODUCTION IN PART OR AS A WHOLE WITHOUT THE WRITTEN PERMISSION OF GLOBAL FILTER LLC IS PROHIBITED.

REFERENCE ENGINEERING DRAWING 21263

				GLOBAL FILTER LLC		
						TITLE: FLTR HSG ASSY, 2" FNPT SISO GTCH5 SER, TAB
D	EC200324-01	MATERIAL SEE TABULATION TABLE		SIZE B	DWG. NO. CS084	REV D
C	EC170809-01					
B	EC150224-01	FINISH SEE TABULATION TABLE		DRAWN BY ME	DATE 11-13-14	SCALE: 1:6
A	EC141113-01					
REV	EC NUMBER	ENG APPR.	EG	11-13-14	WEIGHT: 61 lbs.	SHEET 1 OF 3
EC HISTORY						

8 7 6 5 4 3 2 1

8 7 6 5 4 3 2 1

BILL OF MATERIALS

ITEM	DESCRIPTION	21263-xx																							
		-01 QTY	-02 QTY	-03 QTY	-04 QTY	-05 QTY	-06 QTY	-07 QTY	-08 QTY	-09 QTY	-10 QTY	-11 QTY	-12 QTY	-13 QTY	-14 QTY	-15 QTY	-16 QTY	-17 QTY	-18 QTY	-19 QTY	-20 QTY	-21 QTY	-22 QTY	-23 QTY	-24 QTY
D 1	FLTR HSG WLDMNT, 2" FNPT SISO GTCH5 SER, 20" 304 SS	1	1											1	1										
	FLTR HSG WLDMNT, 2" FNPT SISO GTCH5 SER, 30" 304 SS			1	1											1	1								
	FLTR HSG WLDMNT, 2" FNPT SISO GTCH5 SER, 40" 304 SS					1	1											1	1						
	FLTR HSG WLDMNT, 2" FNPT SISO GTCH5 SER, 20" 316 SS							1	1											1	1				
	FLTR HSG WLDMNT, 2" FNPT SISO GTCH5 SER, 30" 316 SS									1	1											1	1		
	FLTR HSG WLDMNT, 2" FNPT SISO GTCH5 SER, 40" 316 SS											1	1											1	1
2	O-RING, METRIC 224 ID X 7 CS, NITRILE	1	1	1	1	1	1	1	1	1	1	1	1	1	1	1	1	1	1	1	1	1	1	1	
3	LID WELDMENT, GTCH5 SERIES, 304 SS	1	1	1	1	1	1							1	1	1	1	1	1						
	LID WELDMENT, GTCH5 SERIES, 316 SS							1	1	1	1	1	1							1	1	1	1	1	
4	KIT, CLEVIS PEN w/ RETAINING RINGS, 15/32 x 1.75"	2	2	2	2	2	2	2	2	2	2	2	2	2	2	2	2	2	2	2	2	2	2	2	
5	EYE BOLT, 5/8"	4	4	4	4	4	4	4	4	4	4	4	4	4	4	4	4	4	4	4	4	4	4	4	
6	WASHER, FLAT, SS	4	4	4	4	4	4	4	4	4	4	4	4	4	4	4	4	4	4	4	4	4	4	4	
7	EYE NUT, 5/8"-11	4	4	4	4	4	4	4	4	4	4	4	4	4	4	4	4	4	4	4	4	4	4	4	
C 8	V-POST, GTCHB SERIES, 20", 304 SS	5	5											5	5										
	V-POST, GTCHB SERIES, 30", 304 SS			5	5											5	5								
	V-POST, GTCHB SERIES, 40", 304 SS					5	5											5	5						
	V-POST, GTCHB SERIES, 20", 316 SS							5	5											5	5				
	V-POST, GTCHB SERIES, 30", 316 SS									5	5											5	5		
	V-POST, GTCHB SERIES, 40", 316 SS											5	5										5	5	
9	TIE ROD, GTCH SERIES, 20", 304 SS	1	1											1	1										
	TIE ROD, GTCH SERIES, 30", 304 SS			1	1											1	1								
	TIE ROD, GTCH SERIES, 40", 304 SS					1	1											1	1						
	TIE ROD, GTCH SERIES, 20", 316 SS							1	1											1	1				
	TIE ROD, GTCH SERIES, 30", 316 SS									1	1											1	1		
	TIE ROD, GTCH SERIES, 40", 316 SS											1	1										1	1	
B 10	SPRING ASSEMBLY, CARTRIDGE VESSELS, 304 SS	5	5	5	5	5	5							5	5	5	5	5	5						
	SPRING ASSEMBLY, CARTRIDGE VESSELS, 316 SS							5	5	5	5	5	5							5	5	5	5	5	
11	HOLD DOWN PLT POST w/ EXT RET RINGS KIT, 304 SS	1	1	1	1	1	1							1	1	1	1	1	1						
	HOLD DOWN PLT POST w/ EXT RET RINGS KIT, 316 SS							1	1	1	1	1	1							1	1	1	1	1	
12	HOLD DOWN PLT, CLOSED & DOE, GTCH5 SER, 304 SS	1	1	1	1	1	1							1	1	1	1	1	1						
	HOLD DOWN PLT, CLOSED & DOE, GTCH5 SER, 316 SS							1	1	1	1	1	1							1	1	1	1	1	
13	HOLD DOWN FIN CTG, GTCH5 SER, 304 SS	1	1	1	1	1	1							1	1	1	1	1	1						
	HOLD DOWN FIN CTG, GTCH5 SER, 316 SS							1	1	1	1	1	1							1	1	1	1	1	
14	TIE ROD NUT, GTCHB SERIES, 304 SS	1	1	1	1	1	1							1	1	1	1	1	1						
	TIE ROD NUT, GTCHB SERIES, 316 SS							1	1	1	1	1	1							1	1	1	1	1	
15	PIPE PLUG, 1" HEX HEAD, 304 SS	2	2	2	2	2	2							2	2	2	2	2	2						
	PIPE PLUG, 1" HEX HEAD, 316 SS							2	2	2	2	2	2							2	2	2	2	2	
16	PIPE PLUG, 1/4" HEX HEAD, 304 SS	3	3	3	3	3	3							3	3	3	3	3	3						
	PIPE PLUG, 1/4" HEX HEAD, 316 SS							3	3	3	3	3	3							3	3	3	3	3	
A 17	KIT, CLEVIS PEN w/ RETAINING RINGS, 15-32 x 2.50"	1	1	1	1	1	1	1	1	1	1	1	1	1	1	1	1	1	1	1	1	1	1	1	

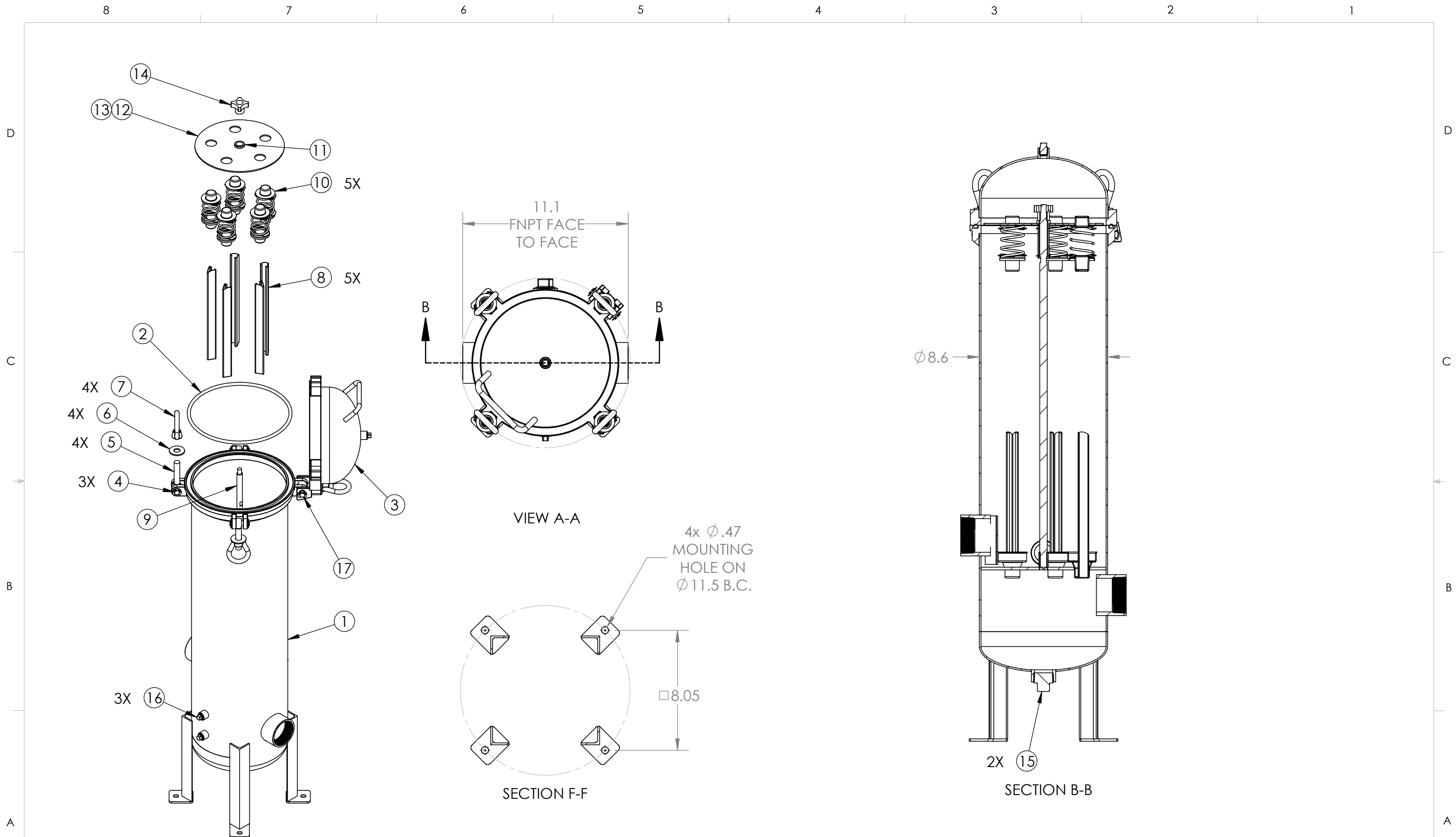
D

C

B

A

SIZE B	DWG. NO. CS084	REV D
SCALE: 1:1	WEIGHT:	SHEET 2 OF 3



SIZE B	DWG. NO. CS084	REV D
SCALE: 1:6	WEIGHT:	SHEET 3 OF 3