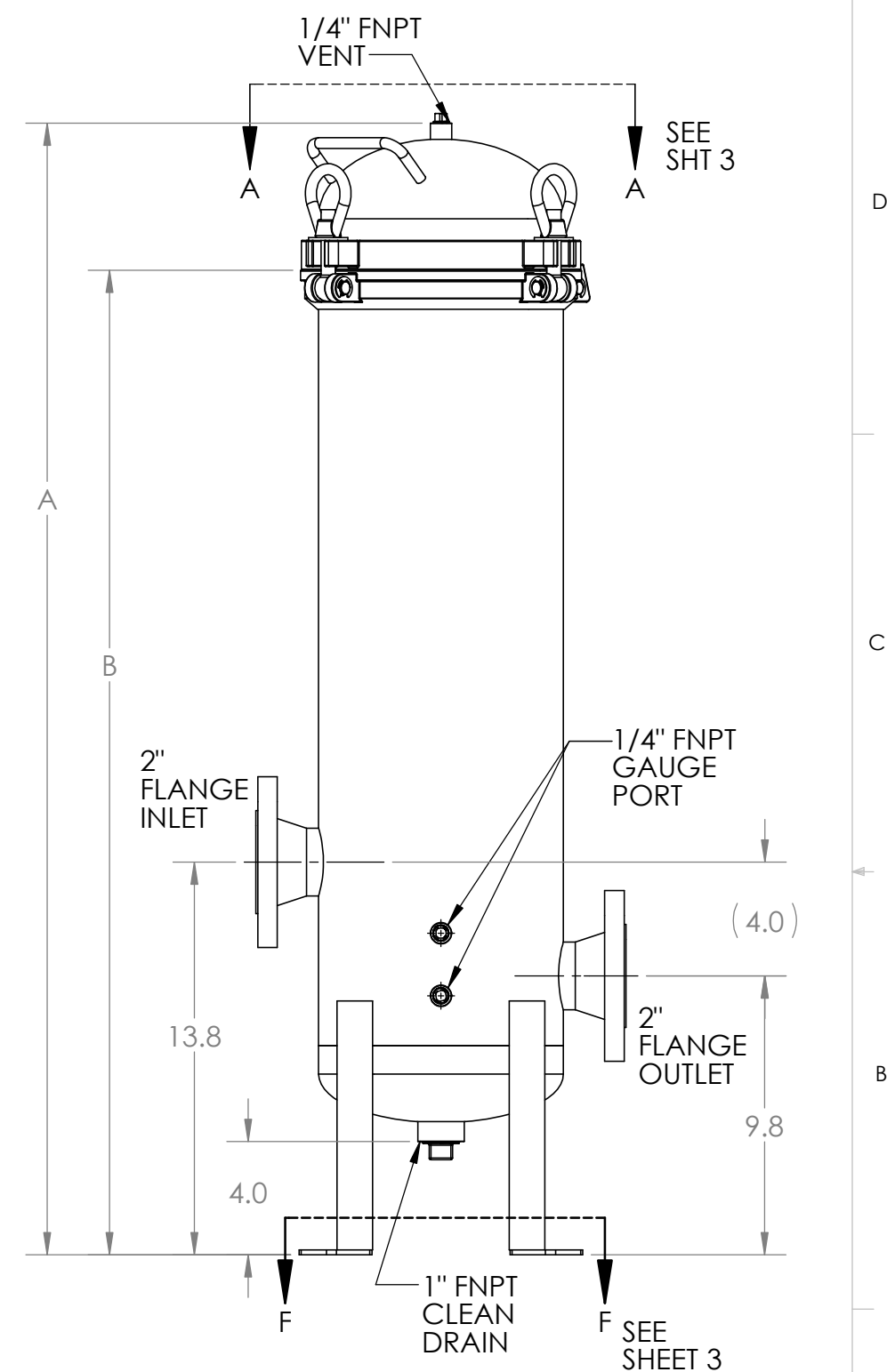
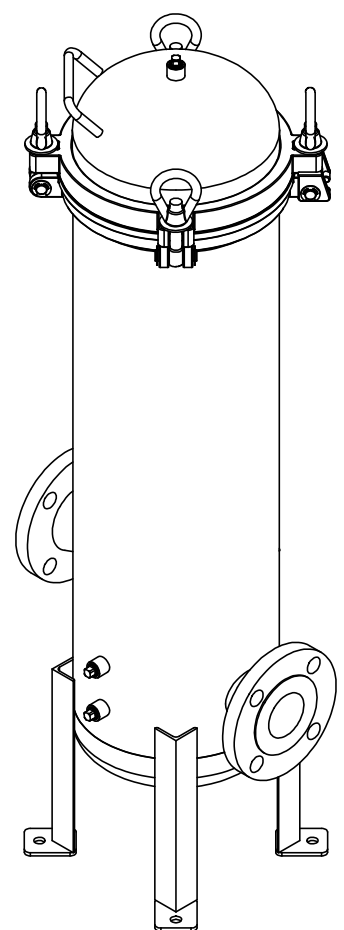


TABULATION		
PART NO.	DESCRIPTION	GLOBAL FILTER MODEL NO.
21055-01	FLTR HSG ASSY, GTCH5 SER, 20", 2F, 304 SS, GB, CODE	GTCH522F2415GBU
21055-02	FLTR HSG ASSY, GTCH5 SER, 20", 2F, 304 SS, GB	GTCH522F2415GB
21055-03	FLTR HSG ASSY, GTCH5 SER, 30", 2F, 304 SS, GB, CODE	GTCH532F2415GBU
21055-04	FLTR HSG ASSY, GTCH5 SER, 30", 2F, 304 SS, GB	GTCH532F2415GB
21055-05	FLTR HSG ASSY, GTCH5 SER, 40", 2F, 304 SS, GB, CODE	GTCH542F2415GBU
21055-06	FLTR HSG ASSY, GTCH5 SER, 40", 2F, 304 SS, GB	GTCH542F2415GB
21055-07	FLTR HSG ASSY, GTCH5 SER, 20", 2F, 316 SS, GB, CODE	GTCH522F2615GBU
21055-08	FLTR HSG ASSY, GTCH5 SER, 20", 2F, 316 SS, GB	GTCH522F2615GB
21055-09	FLTR HSG ASSY, GTCH5 SER, 30", 2F, 316 SS, GB, CODE	GTCH532F2615GBU
21055-10	FLTR HSG ASSY, GTCH5 SER, 30", 2F, 316 SS, GB	GTCH532F2615GB
21055-11	FLTR HSG ASSY, GTCH5 SER, 40", 2F, 316 SS, GB, CODE	GTCH542F2615GBU
21055-12	FLTR HSG ASSY, GTCH5 SER, 40", 2F, 316 SS, GB	GTCH542F2615GB
21055-13	FLTR HSG ASSY, GTCH5 SER, 20", 2F, 304 SS, EP, CODE	GTCH522F2415EPU
21055-14	FLTR HSG ASSY, GTCH5 SER, 20", 2F, 304 SS, EP	GTCH522F2415EP
21055-15	FLTR HSG ASSY, GTCH5 SER, 30", 2F, 304 SS, EP, CODE	GTCH532F2415EPU
21055-16	FLTR HSG ASSY, GTCH5 SER, 30", 2F, 304 SS, EP	GTCH532F2415EP
21055-17	FLTR HSG ASSY, GTCH5 SER, 40", 2F, 304 SS, EP, CODE	GTCH542F2415EPU
21055-18	FLTR HSG ASSY, GTCH5 SER, 40", 2F, 304 SS, EP	GTCH542F2415EP
21055-19	FLTR HSG ASSY, GTCH5 SER, 20", 2F, 316 SS, EP, CODE	GTCH522F2615EPU
21055-20	FLTR HSG ASSY, GTCH5 SER, 20", 2F, 316 SS, EP	GTCH522F2615EP
21055-21	FLTR HSG ASSY, GTCH5 SER, 30", 2F, 316 SS, EP, CODE	GTCH532F2615EPU
21055-22	FLTR HSG ASSY, GTCH5 SER, 30", 2F, 316 SS, EP	GTCH532F2615EP
21055-23	FLTR HSG ASSY, GTCH5 SER, 40", 2F, 316 SS, EP, CODE	GTCH542F2615EPU
21055-24	FLTR HSG ASSY, GTCH5 SER, 40", 2F, 316 SS, EP	GTCH542F2615EP

SHIPPING WEIGHT AND SIZE MAY DIFFER FROM STATED VALUES DUE TO PALLETIZING AND QUANTITY CONSIDERATIONS		
VESSEL SIZE	BOXED WEIGHT (LBS)	BOX SIZE (INCHES)
GTCH52-		14 x 14 x 40
GTCH53-		14 x 14 x 50
GTCH54-		14 x 14 x 60

DIMENSIONS		
MODEL NO.	A (in)	B (in)
GTCH52-	38	34.6
GTCH53-	48	44.6
GTCH54-	58	54.6



- NOTES:
- UNLESS TOLERANCES ARE INDICATED, ALL DIMENSIONS ARE REFERENCE.
  - SEE SHEET 2 FOR BILL OF MATERIALS.
  - ALL MODELS COMPLY WITH REQUIREMENTS FOR DESIGN AND CONSTRUCTION IN ACCORDANCE WITH THE ASME BOILER & PRESSURE VESSEL CODE, SECTION VIII, DIVISION 1. MODELS BEARING THE "U" OR "UM" STAMP ARE REGISTERED WITH THE NATIONAL BOARD OF BOILER AND PRESSURE VESSEL INSPECTORS.

**PROPRIETARY AND CONFIDENTIAL**  
 THE INFORMATION CONTAINED IN THIS DRAWING IS THE SOLE PROPERTY OF GLOBAL FILTER LLC. ANY REPRODUCTION IN PART OR AS A WHOLE WITHOUT THE WRITTEN PERMISSION OF GLOBAL FILTER LLC IS PROHIBITED.

REFERENCE ENGINEERING DRAWING 21055

REV	EC NUMBER	DATE	NAME
D	EC200102-01		
C	EC170809-01		
B	EC150223-01		
A	EC141113-01		
REV	EC NUMBER		
EC HISTORY			

DIMENSIONS ARE IN INCHES  
 TOLERANCES:  
 ANGULAR ± 0.5°  
 X.X ± .060  
 X.XX ± .015  
 X.XXX ± .005

FINISH	NAME	DATE
SEE TABULATION TABLE		
DRAWN BY	ME	11-13-15
ENG APPR.	EG	11-13-15

**GLOBAL FILTER LLC**

TITLE:  
**FLTR HSG ASSY, 2" FLG SISO GTCH5 SER, TAB**

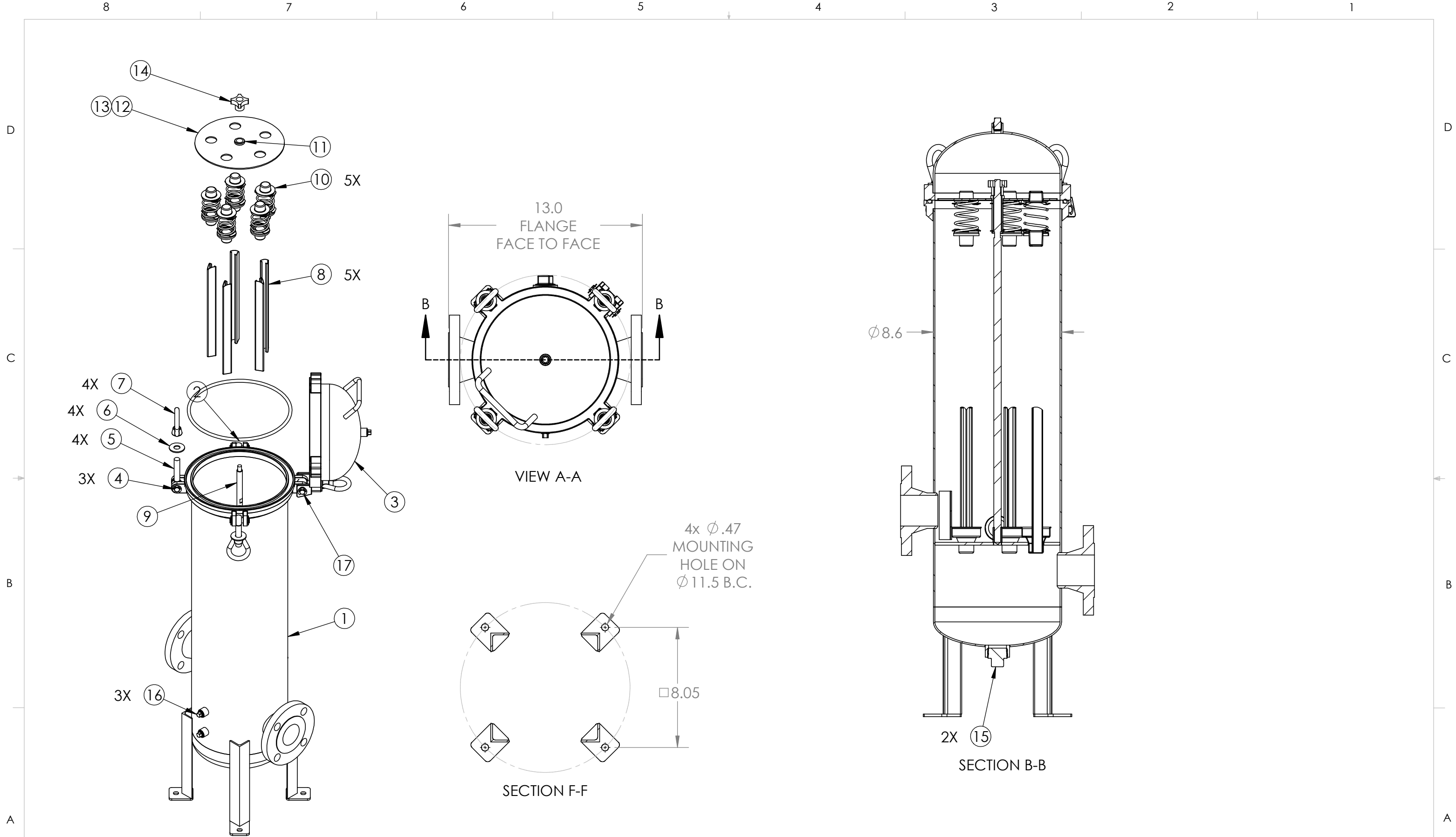
SIZE **B** DWG. NO. **CS085** REV **D**

SCALE: 1:6 WEIGHT: 60 lbs. SHEET 1 OF 3

BILL OF MATERIALS

ITEM	DESCRIPTION	21055-xx																							
		-01 QTY	-02 QTY	-03 QTY	-04 QTY	-05 QTY	-06 QTY	-07 QTY	-08 QTY	-09 QTY	-10 QTY	-11 QTY	-12 QTY	-13 QTY	-14 QTY	-15 QTY	-16 QTY	-17 QTY	-18 QTY	-19 QTY	-20 QTY	-21 QTY	-22 QTY	-23 QTY	-24 QTY
D 1	FLTR HSG WLDMNT, 2" FLG SISO GTCH5 SER, 20" 304 SS	1	1											1	1										
	FLTR HSG WLDMNT, 2" FLG SISO GTCH5 SER, 30" 304 SS			1	1											1	1								
	FLTR HSG WLDMNT, 2" FLG SISO GTCH5 SER, 40" 304 SS					1	1											1	1						
	FLTR HSG WLDMNT, 2" FLG SISO GTCH5 SER, 20" 316 SS							1	1											1	1				
	FLTR HSG WLDMNT, 2" FLG SISO GTCH5 SER, 30" 316 SS									1	1											1	1		
	FLTR HSG WLDMNT, 2" FLG SISO GTCH5 SER, 40" 316 SS											1	1											1	1
2	O-RING, METRIC 224 ID X 7 CS, NITRILE	1	1	1	1	1	1	1	1	1	1	1	1	1	1	1	1	1	1	1	1	1	1	1	
3	LID WELDMENT, GTCH5 SERIES, 304 SS	1	1	1	1	1	1							1	1	1	1	1	1						
	LID WELDMENT, GTCH5 SERIES, 316 SS							1	1	1	1	1	1							1	1	1	1	1	
4	KIT, CLEVIS PEN w/ RETAINING RINGS, 15/32 x 1.75"	2	2	2	2	2	2	2	2	2	2	2	2	2	2	2	2	2	2	2	2	2	2	2	
5	EYE BOLT, 5/8"	4	4	4	4	4	4	4	4	4	4	4	4	4	4	4	4	4	4	4	4	4	4	4	
6	WASHER, FLAT, SS	4	4	4	4	4	4	4	4	4	4	4	4	4	4	4	4	4	4	4	4	4	4	4	
7	EYE NUT, 5/8"-11	4	4	4	4	4	4	4	4	4	4	4	4	4	4	4	4	4	4	4	4	4	4	4	
C 8	V-POST, GTCHB SERIES, 20", 304 SS	5	5											5	5										
	V-POST, GTCHB SERIES, 30", 304 SS			5	5											5	5								
	V-POST, GTCHB SERIES, 40", 304 SS					5	5											5	5						
	V-POST, GTCHB SERIES, 20", 316 SS							5	5											5	5				
	V-POST, GTCHB SERIES, 30", 316 SS									5	5											5	5		
	V-POST, GTCHB SERIES, 40", 316 SS											5	5										5	5	
9	TIE ROD, GTCH SERIES, 20", 304 SS	1	1											1	1										
	TIE ROD, GTCH SERIES, 30", 304 SS			1	1											1	1								
	TIE ROD, GTCH SERIES, 40", 304 SS					1	1											1	1						
	TIE ROD, GTCH SERIES, 20", 316 SS							1	1											1	1				
	TIE ROD, GTCH SERIES, 30", 316 SS									1	1											1	1		
	TIE ROD, GTCH SERIES, 40", 316 SS											1	1										1	1	
B 10	SPRING ASSEMBLY, CARTRIDGE VESSELS, 304 SS	5	5	5	5	5	5							5	5	5	5	5	5						
	SPRING ASSEMBLY, CARTRIDGE VESSELS, 316 SS							5	5	5	5	5	5							5	5	5	5	5	
11	HOLD DOWN PLT POST w/ EXT RET RINGS KIT, 304 SS	1	1	1	1	1	1							1	1	1	1	1	1						
	HOLD DOWN PLT POST w/ EXT RET RINGS KIT, 316 SS							1	1	1	1	1	1							1	1	1	1	1	
12	HOLD DOWN PLT, CLOSED & DOE, GTCH5 SER, 304 SS	1	1	1	1	1	1							1	1	1	1	1	1						
	HOLD DOWN PLT, CLOSED & DOE, GTCH5 SER, 316 SS							1	1	1	1	1	1							1	1	1	1	1	
13	HOLD DOWN FIN CTG, GTCH5 SER, 304 SS	1	1	1	1	1	1							1	1	1	1	1	1						
	HOLD DOWN FIN CTG, GTCH5 SER, 316 SS							1	1	1	1	1	1							1	1	1	1	1	
14	TIE ROD NUT, GTCHB SERIES, 304 SS	1	1	1	1	1	1							1	1	1	1	1	1						
	TIE ROD NUT, GTCHB SERIES, 316 SS							1	1	1	1	1	1							1	1	1	1	1	
15	PIPE PLUG, 1" HEX HEAD, 304 SS	2	2	2	2	2	2							2	2	2	2	2	2						
	PIPE PLUG, 1" HEX HEAD, 316 SS							2	2	2	2	2	2							2	2	2	2	2	
16	PIPE PLUG, 1/4" HEX HEAD, 304 SS	3	3	3	3	3	3							3	3	3	3	3	3						
	PIPE PLUG, 1/4" HEX HEAD, 316 SS							3	3	3	3	3	3							3	3	3	3	3	
A 17	KIT, CLEVIS PEN w/ RETAINING RINGS, 15-32 x 2.50"	1	1	1	1	1	1	1	1	1	1	1	1	1	1	1	1	1	1	1	1	1	1	1	

SIZE <b>B</b>	DWG. NO. <b>CS085</b>	REV <b>D</b>
SCALE: 1:1	WEIGHT:	SHEET 2 OF 3



SIZE <b>B</b>	DWG. NO. <b>CS085</b>	REV <b>D</b>
SCALE: 1:6	WEIGHT:	SHEET 3 OF 3