

SHIPPING WEIGHT AND SIZE MAY DIFFER FROM STATED VALUES DUE TO PALLETIZING AND QUANTITY CONSIDERATIONS

| VESSEL SIZE | BOXED WEIGHT (LBS) | BOX SIZE (INCHES) |
|--------------|--------------------|-------------------|
| GTCHB4/5-10" | 32 | 13 x 13 x 26 |
| GTCHB4/5-20" | 37 | 13 x 13 x 35 |
| GTCHB4/5-30" | 42 | 13 x 13 x 45 |
| GTCHB4/5-40" | 46 | 13 x 13 x 56 |

CS094-09 SHOWN

| TABULATION | | | |
|------------|--|-------------------------|-------|
| PART NO. | DESCRIPTION | GLOBAL FILTER MODEL NO. | DIM A |
| CS094-01 | ASSY, HSG, GTCHB4 2" MNPT, 304 SS, 10" | GTCHB412M2415PC | 23.75 |
| CS094-02 | ASSY, HSG, GTCHB4 2" MNPT, 304 SS, 20" | GTCHB422M2415PC | 33.75 |
| CS094-03 | ASSY, HSG, GTCHB4 2" MNPT, 304 SS, 30" | GTCHB432M2415PC | 43.75 |
| CS094-04 | ASSY, HSG, GTCHB4 2" MNPT, 304 SS, 40" | GTCHB442M2415PC | 53.75 |
| CS094-05 | ASSY, HSG, GTCHB4 2" MNPT, 316 SS, 10" | GTCHB412M2615PC | 23.75 |
| CS094-06 | ASSY, HSG, GTCHB4 2" MNPT, 316 SS, 20" | GTCHB422M2615PC | 33.75 |
| CS094-07 | ASSY, HSG, GTCHB4 2" MNPT, 316 SS, 30" | GTCHB432M2615PC | 43.75 |
| CS094-08 | ASSY, HSG, GTCHB4 2" MNPT, 316 SS, 40" | GTCHB442M2615PC | 53.75 |
| CS094-09 | ASSY, HSG, GTCHB5 2" MNPT, 304 SS, 10" | GTCHB512M2415PC | 23.75 |
| CS094-10 | ASSY, HSG, GTCHB5 2" MNPT, 304 SS, 20" | GTCHB522M2415PC | 33.75 |
| CS094-11 | ASSY, HSG, GTCHB5 2" MNPT, 304 SS, 30" | GTCHB532M2415PC | 43.75 |
| CS094-12 | ASSY, HSG, GTCHB5 2" MNPT, 304 SS, 40" | GTCHB542M2415PC | 53.75 |
| CS094-13 | ASSY, HSG, GTCHB5 2" MNPT, 316 SS, 10" | GTCHB512M2615PC | 23.75 |
| CS094-14 | ASSY, HSG, GTCHB5 2" MNPT, 316 SS, 20" | GTCHB522M2615PC | 33.75 |
| CS094-15 | ASSY, HSG, GTCHB5 2" MNPT, 316 SS, 30" | GTCHB532M2615PC | 43.75 |
| CS094-16 | ASSY, HSG, GTCHB5 2" MNPT, 316 SS, 40" | GTCHB542M2615PC | 53.75 |
| CS094-17 | ASSY, HSG, GTCHB4 2" BSPP, 304 SS, 10" | GTCHB412B2415PC | 23.75 |
| CS094-18 | ASSY, HSG, GTCHB4 2" BSPP, 304 SS, 20" | GTCHB422B2415PC | 33.75 |
| CS094-19 | ASSY, HSG, GTCHB4 2" BSPP, 304 SS, 30" | GTCHB432B2415PC | 43.75 |
| CS094-20 | ASSY, HSG, GTCHB4 2" BSPP, 304 SS, 40" | GTCHB442B2415PC | 53.75 |
| CS094-21 | ASSY, HSG, GTCHB4 2" BSPP, 316 SS, 10" | GTCHB412B2615PC | 23.75 |
| CS094-22 | ASSY, HSG, GTCHB4 2" BSPP, 316 SS, 20" | GTCHB422B2615PC | 33.75 |
| CS094-23 | ASSY, HSG, GTCHB4 2" BSPP, 316 SS, 30" | GTCHB432B2615PC | 43.75 |
| CS094-24 | ASSY, HSG, GTCHB4 2" BSPP, 316 SS, 40" | GTCHB442B2615PC | 53.75 |
| CS094-25 | ASSY, HSG, GTCHB5 2" BSPP, 304 SS, 10" | GTCHB512B2415PC | 23.75 |
| CS094-26 | ASSY, HSG, GTCHB5 2" BSPP, 304 SS, 20" | GTCHB522B2415PC | 33.75 |
| CS094-27 | ASSY, HSG, GTCHB5 2" BSPP, 304 SS, 30" | GTCHB532B2415PC | 43.75 |
| CS094-28 | ASSY, HSG, GTCHB5 2" BSPP, 304 SS, 40" | GTCHB542B2415PC | 53.75 |
| CS094-29 | ASSY, HSG, GTCHB5 2" BSPP, 316 SS, 10" | GTCHB512B2615PC | 23.75 |
| CS094-30 | ASSY, HSG, GTCHB5 2" BSPP, 316 SS, 20" | GTCHB522B2615PC | 33.75 |
| CS094-31 | ASSY, HSG, GTCHB5 2" BSPP, 316 SS, 30" | GTCHB532B2615PC | 43.75 |
| CS094-32 | ASSY, HSG, GTCHB5 2" BSPP, 316 SS, 40" | GTCHB542B2615PC | 53.75 |

NOTES:
 1. UNLESS TOLERANCES ARE INDICATED, ALL DIMENSIONS ARE REFERENCE.
 2. SEE SHEETS 2 & 3 FOR BILL OF MATERIALS.

PROPRIETARY AND CONFIDENTIAL
 THE INFORMATION CONTAINED IN THIS DRAWING IS THE SOLE PROPERTY OF GLOBAL FILTER LLC. ANY REPRODUCTION IN PART OR AS A WHOLE WITHOUT THE WRITTEN PERMISSION OF GLOBAL FILTER LLC IS PROHIBITED.

REFERENCE ENGINEERING DRAWING 21077

| | | | | | | | |
|------------|--|-------------|--|---|--|--|--|
| A | | EC150218-01 | | MATERIAL SEE TABLE | | GLOBAL FILTER LLC | |
| REV | | EC NUMBER | | FINISH DIAMOND SILVER POLYURETHANE PAINT | | | |
| EC HISTORY | | DRAWN BY | | NAME | | TITLE: FLTR HSG ASSY, GTCHB4 & 5 SER, 2" MNPT/BSPP, TAB | |
| | | ENG APPR. | | DATE | | SIZE DWG. NO. | |
| | | EG | | 2-18-15 | | B CS094 | |
| | | | | | | REV B | |
| | | | | | | SCALE: 1:4 WEIGHT: SHEET 1 OF 4 | |

BILL OF MATERIALS

| ITEM | DESCRIPTION | CS094-xx | | | | | | | | | | | | | | | |
|------|---|------------|------------|------------|------------|------------|------------|------------|------------|------------|------------|------------|------------|------------|------------|------------|------------|
| | | -01 QTY | -02 QTY | -03 QTY | -04 QTY | -05 QTY | -06 QTY | -07 QTY | -08 QTY | -09 QTY | -10 QTY | -11 QTY | -12 QTY | -13 QTY | -14 QTY | -15 QTY | -16 QTY |
| 1 | WLDMNT, FLTR HSG, GTCHB4&5 RND 2" MNPT, 304 SS, 10" | 1 | | | | | | | | 1 | | | | | | | |
| | WLDMNT, FLTR HSG, GTCHB4&5 RND 2" MNPT, 304 SS, 20" | | 1 | | | | | | | | 1 | | | | | | |
| | WLDMNT, FLTR HSG, GTCHB4&5 RND 2" MNPT, 304 SS, 30" | | | 1 | | | | | | | | 1 | | | | | |
| | WLDMNT, FLTR HSG, GTCHB4&5 RND 2" MNPT, 304 SS, 40" | | | | 1 | | | | | | | | 1 | | | | |
| | WLDMNT, FLTR HSG, GTCHB4&5 RND 2" MNPT, 316 SS, 10" | | | | | 1 | | | | | | | | 1 | | | |
| | WLDMNT, FLTR HSG, GTCHB4&5 RND 2" MNPT, 316 SS, 20" | | | | | | 1 | | | | | | | | 1 | | |
| | WLDMNT, FLTR HSG, GTCHB4&5 RND 2" MNPT, 316 SS, 30" | | | | | | | 1 | | | | | | | | 1 | |
| | WLDMNT, FLTR HSG, GTCHB4&5 RND 2" MNPT, 316 SS, 40" | | | | | | | | | 1 | | | | | | | |
| 2 | LID WELDMNT, GTCHB 4 & 5 Series, 304 SS | 1 | 1 | 1 | 1 | | | | | 1 | 1 | 1 | 1 | | | | |
| | LID WELDMNT, GTCHB 4 & 5 Series, 316 SS | | | | | 1 | 1 | 1 | 1 | | | | | 1 | 1 | 1 | 1 |
| 3 | TIE ROD, GTCHB SERIES, 10" 304 SS | 1 | | | | | | | | 1 | | | | | | | |
| | TIE ROD, GTCHB SERIES, 20" 304 SS | | 1 | | | | | | | | 1 | | | | | | |
| | TIE ROD, GTCHB SERIES, 30" 304 SS | | | 1 | | | | | | | | 1 | | | | | |
| | TIE ROD, GTCHB SERIES, 40" 304 SS | | | | 1 | | | | | | | | 1 | | | | |
| | TIE ROD, GTCHB SERIES, 10" 316 SS | | | | | 1 | | | | | | | | 1 | | | |
| | TIE ROD, GTCHB SERIES, 20" 316 SS | | | | | | 1 | | | | | | | | 1 | | |
| | TIE ROD, GTCHB SERIES, 30" 316 SS | | | | | | | 1 | | | | | | | | 1 | |
| | TIE ROD, GTCHB SERIES, 40" 316 SS | | | | | | | | | 1 | | | | | | | |
| 4 | TIE ROD NUT, GTCHB SERIES, 304 SS | 1 | 1 | 1 | 1 | | | | | 1 | 1 | 1 | 1 | | | | |
| | TIE ROD NUT, GTCHB SERIES, 316 SS | | | | | 1 | 1 | 1 | 1 | | | | | 1 | 1 | 1 | 1 |
| 5 | SPRING ASSEMBLY, CARTRIDGE VESSELS, 304 SS | 4 | 4 | 4 | 4 | | | | | 5 | 5 | 5 | 5 | | | | |
| | SPRING ASSEMBLY, CARTRIDGE VESSELS, 316 SS | | | | | 4 | 4 | 4 | 4 | | | | | 5 | 5 | 5 | 5 |
| 6 | HOLD DOWN PLATE, GTCHB 4 RND, 304 SS | 1 | 1 | 1 | 1 | | | | | | | | | | | | |
| | HOLD DOWN PLATE, GTCHB 4 RND, 316 SS | | | | | 1 | 1 | 1 | 1 | | | | | | | | |
| | HOLD DOWN PLATE, GTCHB 5 RND, 304 SS | | | | | | | | | 1 | 1 | 1 | 1 | | | | |
| | HOLD DOWN PLATE, GTCHB 5 RND, 316 SS | | | | | | | | | | | | | 1 | 1 | 1 | 1 |
| 7 | HOLD DOWN PLATE POST W/ EXT RET RING KIT, 304 SS | 1 | 1 | 1 | 1 | | | | | 1 | 1 | 1 | 1 | | | | |
| | HOLD DOWN PLATE POST W/ EXT RET RING KIT, 316 SS | | | | | 1 | 1 | 1 | 1 | | | | | 1 | 1 | 1 | 1 |
| 8 | O-RING, 199.5mm ID 11mm CS, BUNA | 1 | 1 | 1 | 1 | 1 | 1 | 1 | 1 | 1 | 1 | 1 | 1 | 1 | 1 | 1 | 1 |
| 9 | V POST, GTCHB SERIES, 10" 304 SS | 4 | | | | | | | | 5 | | | | | | | |
| | V POST, GTCHB SERIES, 20" 304 SS | | 4 | | | | | | | | 5 | | | | | | |
| | V POST, GTCHB SERIES, 30" 304 SS | | | 4 | | | | | | | | 5 | | | | | |
| | V POST, GTCHB SERIES, 40" 304 SS | | | | 4 | | | | | | | | 5 | | | | |
| | V POST, GTCHB SERIES, 10" 316 SS | | | | | 4 | | | | | | | | 5 | | | |
| | V POST, GTCHB SERIES, 20" 316 SS | | | | | | 4 | | | | | | | | 5 | | |
| | V POST, GTCHB SERIES, 30" 316 SS | | | | | | | 4 | | | | | | | | 5 | |
| | V POST, GTCHB SERIES, 40" 316 SS | | | | | | | | | 4 | | | | | | | 5 |
| 10 | V-BAND CLAMP, GTCHB SERIES, 4 & 5 RND | 1 | 1 | 1 | 1 | 1 | 1 | 1 | 1 | 1 | 1 | 1 | 1 | 1 | 1 | 1 | 1 |
| 11 | PIPE PLUG, 1/4", HEX HEAD, 304 SS | 1 | 1 | 1 | 1 | | | | | 1 | 1 | 1 | 1 | | | | |
| | PIPE PLUG, 1/4", HEX HEAD, 316 SS | | | | | 1 | 1 | 1 | 1 | | | | | 1 | 1 | 1 | 1 |
| 12 | PIPE PLUG, 1/2", HEX HEAD, 304 SS | 2 | 2 | 2 | 2 | | | | | 2 | 2 | 2 | 2 | | | | |
| | PIPE PLUG, 1/2", HEX HEAD, 316 SS | | | | | 2 | 2 | 2 | 2 | | | | | 2 | 2 | 2 | 2 |

 BOM CONTINUED ON SHEET 3

| | | |
|------------------|--------------------------|-----------------|
| SIZE B | DWG. NO. CS094 | REV B |
| SCALE: 1:1 | WEIGHT: | SHEET 2 OF 4 |

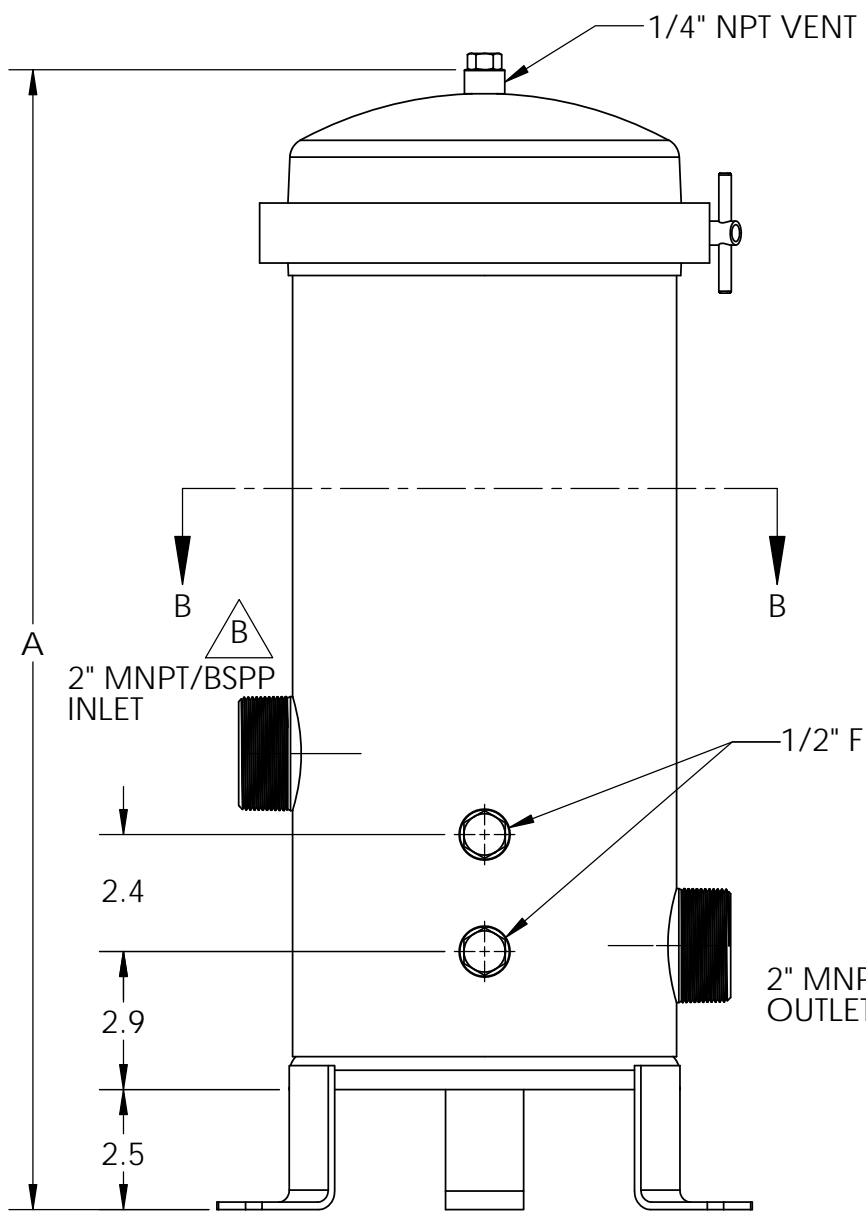
BILL OF MATERIALS



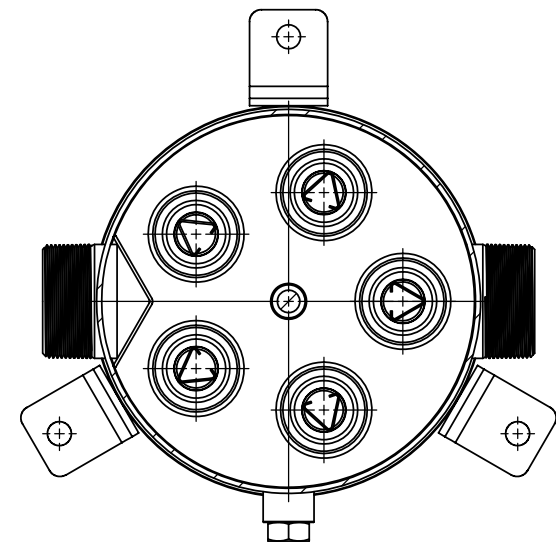
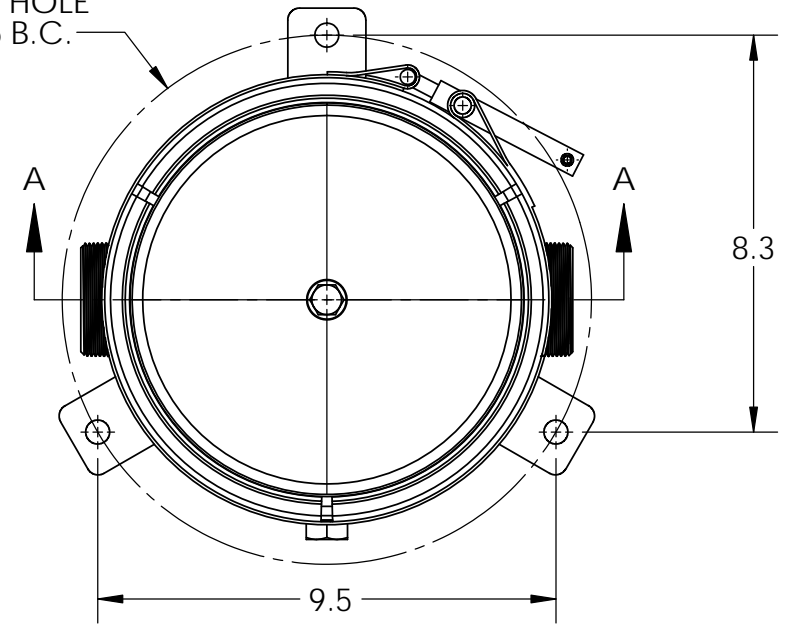
| ITEM | DESCRIPTION | CS094-xx | | | | | | | | | | | | | | | |
|------|--|------------|------------|------------|------------|------------|------------|------------|------------|------------|------------|------------|------------|------------|------------|------------|------------|
| | | -17 QTY | -18 QTY | -19 QTY | -20 QTY | -21 QTY | -22 QTY | -23 QTY | -24 QTY | -25 QTY | -26 QTY | -27 QTY | -28 QTY | -29 QTY | -30 QTY | -31 QTY | -32 QTY |
| 1 | WLDMNT, FLTR HSG, GTCHB4&5 RND, 2" BSPP, 304 SS, 10" | 1 | | | | | | | | 1 | | | | | | | |
| | WLDMNT, FLTR HSG, GTCHB4&5 RND, 2" BSPP, 304 SS, 20" | | 1 | | | | | | | | 1 | | | | | | |
| | WLDMNT, FLTR HSG, GTCHB4&5 RND, 2" BSPP, 304 SS, 30" | | | 1 | | | | | | | | 1 | | | | | |
| | WLDMNT, FLTR HSG, GTCHB4&5 RND, 2" BSPP, 304 SS, 40" | | | | 1 | | | | | | | | 1 | | | | |
| | WLDMNT, FLTR HSG, GTCHB4&5 RND, 2" BSPP, 316 SS, 10" | | | | | 1 | | | | | | | | 1 | | | |
| | WLDMNT, FLTR HSG, GTCHB4&5 RND, 2" BSPP, 316 SS, 20" | | | | | | 1 | | | | | | | | 1 | | |
| | WLDMNT, FLTR HSG, GTCHB4&5 RND, 2" BSPP, 316 SS, 30" | | | | | | | 1 | | | | | | | | 1 | |
| | WLDMNT, FLTR HSG, GTCHB4&5 RND, 2" BSPP, 316 SS, 40" | | | | | | | | | 1 | | | | | | | 1 |
| 2 | LID WELDMNT, GTCHB 4 & 5 Series, 304 SS | 1 | 1 | 1 | 1 | | | | | 1 | 1 | 1 | 1 | | | | |
| | LID WELDMNT, GTCHB 4 & 5 Series, 316 SS | | | | | 1 | 1 | 1 | 1 | | | | | 1 | 1 | 1 | 1 |
| 3 | TIE ROD, GTCHB SERIES, 10" 304 SS | 1 | | | | | | | | 1 | | | | | | | |
| | TIE ROD, GTCHB SERIES, 20" 304 SS | | 1 | | | | | | | | 1 | | | | | | |
| | TIE ROD, GTCHB SERIES, 30" 304 SS | | | 1 | | | | | | | | 1 | | | | | |
| | TIE ROD, GTCHB SERIES, 40" 304 SS | | | | 1 | | | | | | | | 1 | | | | |
| | TIE ROD, GTCHB SERIES, 10" 316 SS | | | | | 1 | | | | | | | | 1 | | | |
| | TIE ROD, GTCHB SERIES, 20" 316 SS | | | | | | 1 | | | | | | | | 1 | | |
| | TIE ROD, GTCHB SERIES, 30" 316 SS | | | | | | | 1 | | | | | | | | 1 | |
| | TIE ROD, GTCHB SERIES, 40" 316 SS | | | | | | | | | 1 | | | | | | | 1 |
| 4 | TIE ROD NUT, GTCHB SERIES, 304 SS | 1 | 1 | 1 | 1 | | | | | 1 | 1 | 1 | 1 | | | | |
| | TIE ROD NUT, GTCHB SERIES, 316 SS | | | | | 1 | 1 | 1 | 1 | | | | | 1 | 1 | 1 | 1 |
| 5 | SPRING ASSEMBLY, CARTRIDGE VESSELS, 304 SS | 4 | 4 | 4 | 4 | | | | | 5 | 5 | 5 | 5 | | | | |
| | SPRING ASSEMBLY, CARTRIDGE VESSELS, 316 SS | | | | | 4 | 4 | 4 | 4 | | | | | 5 | 5 | 5 | 5 |
| 6 | HOLD DOWN PLATE, GTCHB 4 RND, 304 SS | 1 | 1 | 1 | 1 | | | | | | | | | | | | |
| | HOLD DOWN PLATE, GTCHB 4 RND, 316 SS | | | | | 1 | 1 | 1 | 1 | | | | | | | | |
| | HOLD DOWN PLATE, GTCHB 5 RND, 304 SS | | | | | | | | | 1 | 1 | 1 | 1 | | | | |
| | HOLD DOWN PLATE, GTCHB 5 RND, 316 SS | | | | | | | | | | | | | 1 | 1 | 1 | 1 |
| 7 | HOLD DOWN PLATE POST W/ EXT RET RING KIT, 304 SS | 1 | 1 | 1 | 1 | | | | | 1 | 1 | 1 | 1 | | | | |
| | HOLD DOWN PLATE POST W/ EXT RET RING KIT, 316 SS | | | | | 1 | 1 | 1 | 1 | | | | | 1 | 1 | 1 | 1 |
| 8 | O-RING, 199.5mm ID 11mm CS, BUNA | 1 | 1 | 1 | 1 | 1 | 1 | 1 | 1 | 1 | 1 | 1 | 1 | 1 | 1 | 1 | 1 |
| 9 | V POST, GTCHB SERIES, 10" 304 SS | 4 | | | | | | | | 5 | | | | | | | |
| | V POST, GTCHB SERIES, 20" 304 SS | | 4 | | | | | | | | 5 | | | | | | |
| | V POST, GTCHB SERIES, 30" 304 SS | | | 4 | | | | | | | | 5 | | | | | |
| | V POST, GTCHB SERIES, 40" 304 SS | | | | 4 | | | | | | | | 5 | | | | |
| | V POST, GTCHB SERIES, 10" 316 SS | | | | | 4 | | | | | | | | 5 | | | |
| | V POST, GTCHB SERIES, 20" 316 SS | | | | | | 4 | | | | | | | | 5 | | |
| | V POST, GTCHB SERIES, 30" 316 SS | | | | | | | 4 | | | | | | | | 5 | |
| | V POST, GTCHB SERIES, 40" 316 SS | | | | | | | | 4 | | | | | | | | 5 |
| 10 | V-BAND CLAMP, GTCHB SERIES, 4 & 5 RND | 1 | 1 | 1 | 1 | 1 | 1 | 1 | 1 | 1 | 1 | 1 | 1 | 1 | 1 | 1 | 1 |
| 11 | PIPE PLUG, 1/4", HEX HEAD, 304 SS | 1 | 1 | 1 | 1 | | | | | 1 | 1 | 1 | 1 | | | | |
| | PIPE PLUG, 1/4", HEX HEAD, 316 SS | | | | | 1 | 1 | 1 | 1 | | | | | 1 | 1 | 1 | 1 |
| 12 | PIPE PLUG, 1/2", HEX HEAD, 304 SS | 2 | 2 | 2 | 2 | | | | | 2 | 2 | 2 | 2 | | | | |
| | PIPE PLUG, 1/2", HEX HEAD, 316 SS | | | | | 2 | 2 | 2 | 2 | | | | | 2 | 2 | 2 | 2 |

| | | |
|------------------|--------------------------|-----------------|
| SIZE B | DWG. NO. CS094 | REV B |
| SCALE: 1:1 | WEIGHT: | SHEET 3 OF 4 |

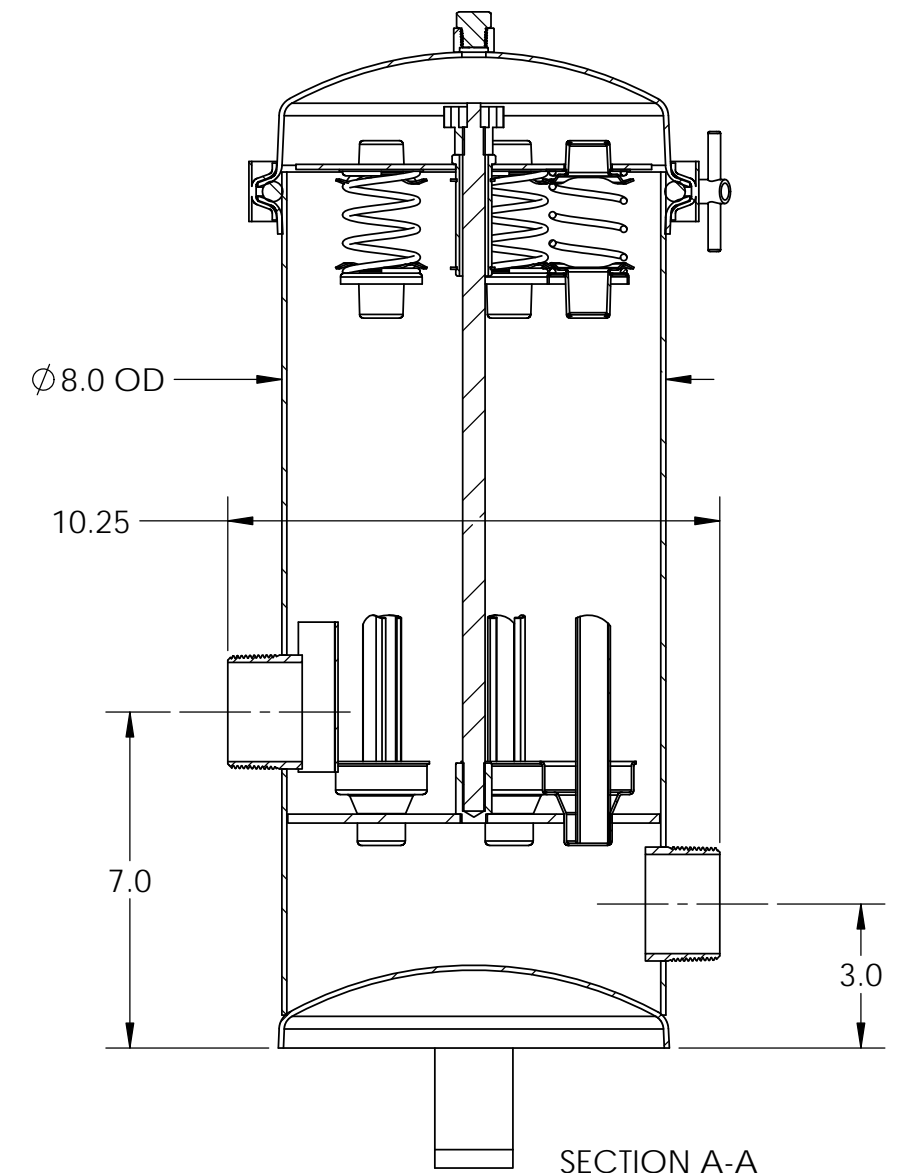
8 7 6 5 4 3 2 1



3x ϕ .50 MOUNTING HOLE ON ϕ 11.06 B.C.



SECTION B-B



SECTION A-A

| | | |
|------------|----------|--------------|
| SIZE | DWG. NO. | REV |
| B | CS094 | B |
| SCALE: 1:4 | WEIGHT: | SHEET 4 OF 4 |

8 7 6 5 4 3 2 1