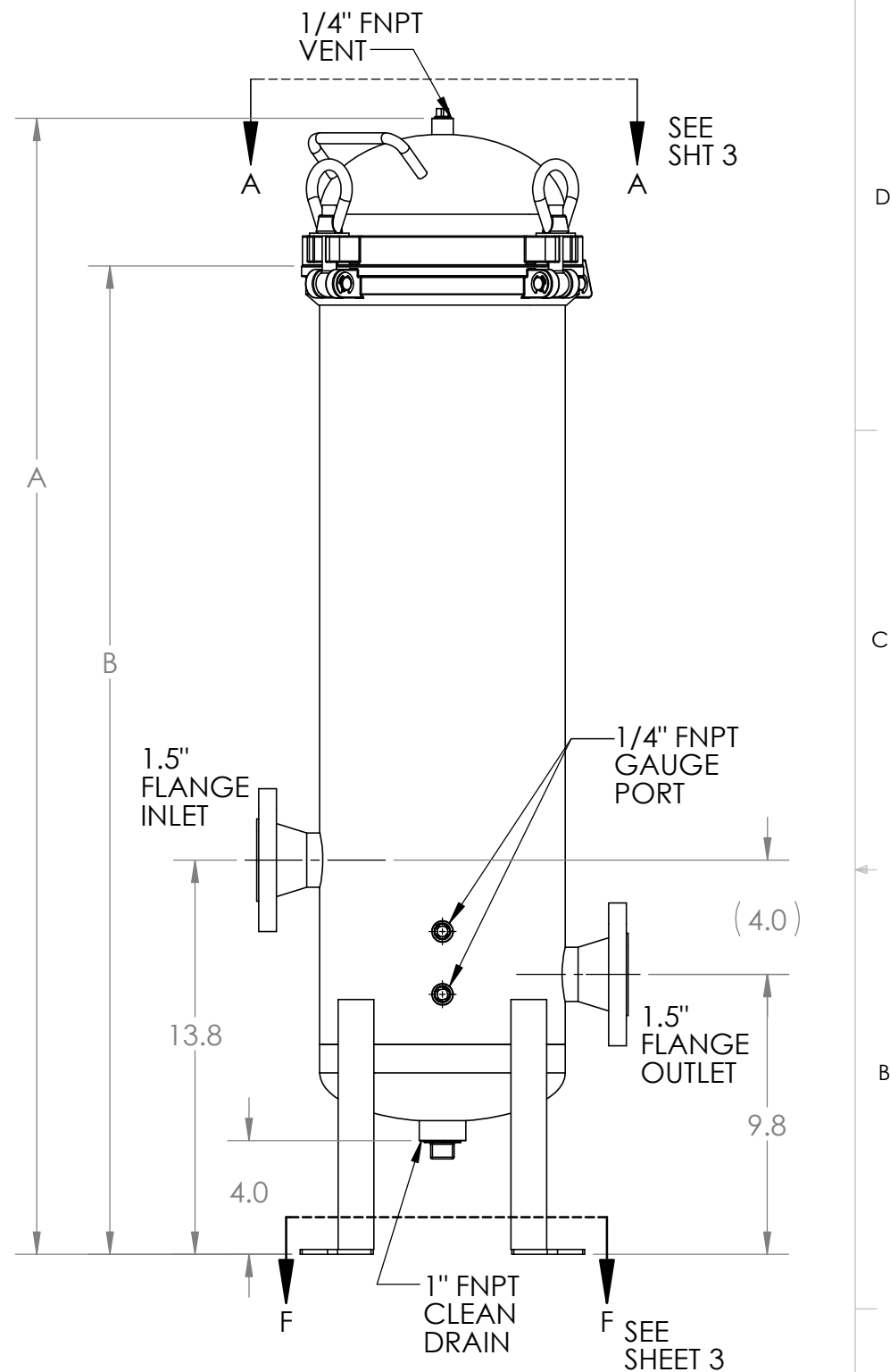
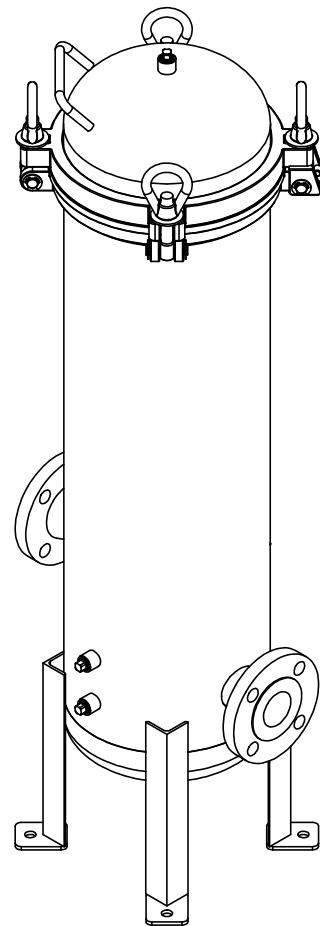


TABULATION		
PART NO.	DESCRIPTION	GLOBAL FILTER MODEL NO.
21162-01	FLTR HSG ASSY, GTCH5 SER, 20", 1.5F, 304 SS, GB, CODE	GTCH521.5F2415GBU
21162-02	FLTR HSG ASSY, GTCH5 SER, 20", 1.5F, 304 SS, GB	GTCH521.5F2415GB
21162-03	FLTR HSG ASSY, GTCH5 SER, 30", 1.5F, 304 SS, GB, CODE	GTCH531.5F2415GBU
21162-04	FLTR HSG ASSY, GTCH5 SER, 30", 1.5F, 304 SS, GB	GTCH531.5F2415GB
21162-05	FLTR HSG ASSY, GTCH5 SER, 40", 1.5F, 304 SS, GB, CODE	GTCH541.5F2415GBU
21162-06	FLTR HSG ASSY, GTCH5 SER, 40", 1.5F, 304 SS, GB	GTCH541.5F2415GB
21162-07	FLTR HSG ASSY, GTCH5 SER, 20", 1.5F, 316 SS, GB, CODE	GTCH521.5F2615GBU
21162-08	FLTR HSG ASSY, GTCH5 SER, 20", 1.5F, 316 SS, GB	GTCH521.5F2615GB
21162-09	FLTR HSG ASSY, GTCH5 SER, 30", 1.5F, 316 SS, GB, CODE	GTCH531.5F2615GBU
21162-10	FLTR HSG ASSY, GTCH5 SER, 30", 1.5F, 316 SS, GB	GTCH531.5F2615GB
21162-11	FLTR HSG ASSY, GTCH5 SER, 40", 1.5F, 316 SS, GB, CODE	GTCH541.5F2615GBU
21162-12	FLTR HSG ASSY, GTCH5 SER, 40", 1.5F, 316 SS, GB	GTCH541.5F2615GB
21162-13	FLTR HSG ASSY, GTCH5 SER, 20", 1.5F, 304 SS, EP, CODE	GTCH521.5F2415EPU
21162-14	FLTR HSG ASSY, GTCH5 SER, 20", 1.5F, 304 SS, EP	GTCH521.5F2415EP
21162-15	FLTR HSG ASSY, GTCH5 SER, 30", 1.5F, 304 SS, EP, CODE	GTCH531.5F2415EPU
21162-16	FLTR HSG ASSY, GTCH5 SER, 30", 1.5F, 304 SS, EP	GTCH531.5F2415EP
21162-17	FLTR HSG ASSY, GTCH5 SER, 40", 1.5F, 304 SS, EP, CODE	GTCH541.5F2415EPU
21162-18	FLTR HSG ASSY, GTCH5 SER, 40", 1.5F, 304 SS, EP	GTCH541.5F2415EP
21162-19	FLTR HSG ASSY, GTCH5 SER, 20", 1.5F, 316 SS, EP, CODE	GTCH521.5F2615EPU
21162-20	FLTR HSG ASSY, GTCH5 SER, 20", 1.5F, 316 SS, EP	GTCH521.5F2615EP
21162-21	FLTR HSG ASSY, GTCH5 SER, 30", 1.5F, 316 SS, EP, CODE	GTCH531.5F2615EPU
21162-22	FLTR HSG ASSY, GTCH5 SER, 30", 1.5F, 316 SS, EP	GTCH531.5F2615EP
21162-23	FLTR HSG ASSY, GTCH5 SER, 40", 1.5F, 316 SS, EP, CODE	GTCH541.5F2615EPU
21162-24	FLTR HSG ASSY, GTCH5 SER, 40", 1.5F, 316 SS, EP	GTCH541.5F2615EP

SHIPPING WEIGHT AND SIZE MAY DIFFER FROM STATED VALUES DUE TO PALLETIZING AND QUANTITY CONSIDERATIONS		
VESSEL SIZE	BOXED WEIGHT (LBS)	BOX SIZE (INCHES)
GTCH52-		14 x 14 x 40
GTCH53-		14 x 14 x 50
GTCH54-		14 x 14 x 60

- NOTES:
- SEE SHEET 2 FOR BILL OF MATERIALS.
 - ALL MODELS COMPLY WITH REQUIREMENTS FOR DESIGN AND CONSTRUCTION IN ACCORDANCE WITH THE ASME BOILER & PRESSURE VESSEL CODE, SECTION VIII, DIVISION 1. MODELS BEARING THE "U" OR "UM" STAMP ARE REGISTERED WITH THE NATIONAL BOARD OF BOILER AND PRESSURE VESSEL INSPECTORS.

DIMENSIONS		
MODEL NO.	A (in)	B (in)
GTCH52-	38	34.6
GTCH53-	48	44.6
GTCH54-	58	54.6



REFERENCE ENGINEERING DRAWING 21162

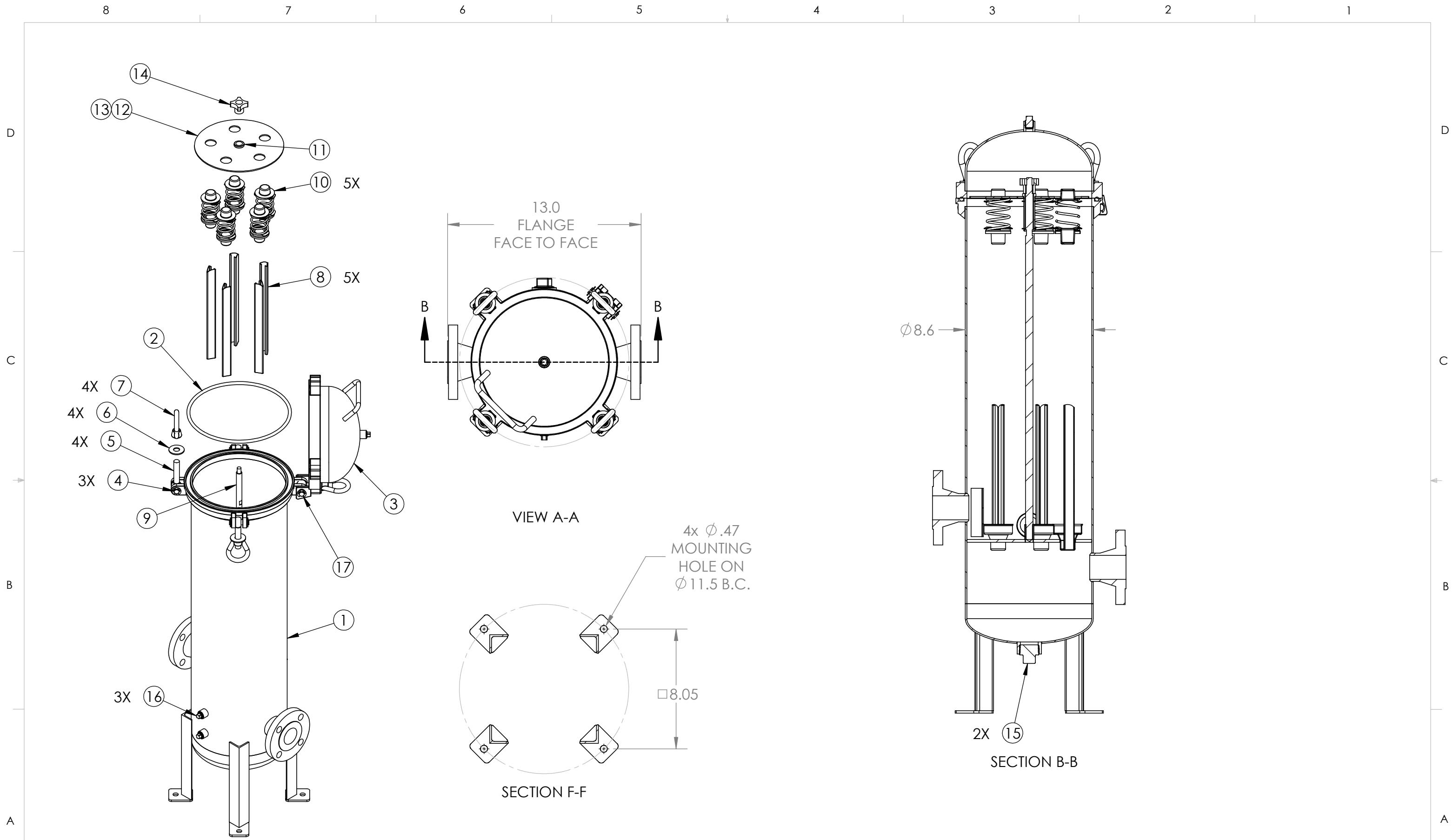
		GLOBAL FILTER LLC TITLE: FLTR HSG ASSY, 1.5" FLG SISO GTCH5 SER, TAB	
B	EC200325-01	FINISH SEE TABULATION TABLE	
A	EC150219-02	SIZE B	DWG. NO. CS096
REV	EC NUMBER	DRAWN BY ME	DATE 11-13-15
EC HISTORY		ENG APPR. EG	DATE 11-13-15
		SCALE: 1:6	WEIGHT: 67 lbs.
		SHEET 1 OF 3	

PROPRIETARY AND CONFIDENTIAL
 THE INFORMATION CONTAINED IN THIS DRAWING IS THE SOLE PROPERTY OF GLOBAL FILTER LLC. ANY REPRODUCTION IN PART OR AS A WHOLE WITHOUT THE WRITTEN PERMISSION OF GLOBAL FILTER LLC IS PROHIBITED.

BILL OF MATERIALS

ITEM	DESCRIPTION	21162-xx																							
		-01 QTY	-02 QTY	-03 QTY	-04 QTY	-05 QTY	-06 QTY	-07 QTY	-08 QTY	-09 QTY	-10 QTY	-11 QTY	-12 QTY	-13 QTY	-14 QTY	-15 QTY	-16 QTY	-17 QTY	-18 QTY	-19 QTY	-20 QTY	-21 QTY	-22 QTY	-23 QTY	-24 QTY
D 1	FLTR HSG WLDMNT, 1.5" FLG SISO GTCH5 SER, 20" 304 SS	1	1											1	1										
	FLTR HSG WLDMNT, 1.5" FLG SISO GTCH5 SER, 30" 304 SS			1	1											1	1								
	FLTR HSG WLDMNT, 1.5" FLG SISO GTCH5 SER, 40" 304 SS					1	1											1	1						
	FLTR HSG WLDMNT, 1.5" FLG SISO GTCH5 SER, 20" 316 SS							1	1											1	1				
	FLTR HSG WLDMNT, 1.5" FLG SISO GTCH5 SER, 30" 316 SS									1	1											1	1		
	FLTR HSG WLDMNT, 1.5" FLG SISO GTCH5 SER, 40" 316 SS											1	1											1	1
2	O-RING, METRIC 224 ID X 7 CS, NITRILE	1	1	1	1	1	1	1	1	1	1	1	1	1	1	1	1	1	1	1	1	1	1	1	
3	LID WELDMNT, GTCH5 SERIES, 304 SS	1	1	1	1	1	1							1	1	1	1	1	1						
	LID WELDMNT, GTCH5 SERIES, 316 SS							1	1	1	1	1	1							1	1	1	1	1	
4	KIT, CLEVIS PEN w/ RETAINING RINGS, 15/32 x 1.75"	2	2	2	2	2	2	2	2	2	2	2	2	2	2	2	2	2	2	2	2	2	2	2	
5	EYE BOLT, 5/8"	4	4	4	4	4	4	4	4	4	4	4	4	4	4	4	4	4	4	4	4	4	4	4	
6	WASHER, FLAT, SS	4	4	4	4	4	4	4	4	4	4	4	4	4	4	4	4	4	4	4	4	4	4	4	
7	EYE NUT, 5/8"-11	4	4	4	4	4	4	4	4	4	4	4	4	4	4	4	4	4	4	4	4	4	4	4	
C 8	V-POST, GTCHB SERIES, 20", 304 SS	5	5											5	5										
	V-POST, GTCHB SERIES, 30", 304 SS			5	5											5	5								
	V-POST, GTCHB SERIES, 40", 304 SS					5	5											5	5						
	V-POST, GTCHB SERIES, 20", 316 SS							5	5											5	5				
	V-POST, GTCHB SERIES, 30", 316 SS									5	5											5	5		
	V-POST, GTCHB SERIES, 40", 316 SS											5	5										5	5	
9	TIE ROD, GTCH SERIES, 20", 304 SS	1	1											1	1										
	TIE ROD, GTCH SERIES, 30", 304 SS			1	1											1	1								
	TIE ROD, GTCH SERIES, 40", 304 SS					1	1											1	1						
	TIE ROD, GTCH SERIES, 20", 316 SS							1	1											1	1				
	TIE ROD, GTCH SERIES, 30", 316 SS									1	1											1	1		
	TIE ROD, GTCH SERIES, 40", 316 SS											1	1										1	1	
B 10	SPRING ASSEMBLY, CARTRIDGE VESSELS, 304 SS	5	5	5	5	5	5							5	5	5	5	5	5						
	SPRING ASSEMBLY, CARTRIDGE VESSELS, 316 SS							5	5	5	5	5	5							5	5	5	5	5	
11	HOLD DOWN PLT POST w/ EXT RET RINGS KIT, 304 SS	1	1	1	1	1	1							1	1	1	1	1	1						
	HOLD DOWN PLT POST w/ EXT RET RINGS KIT, 316 SS							1	1	1	1	1	1							1	1	1	1	1	
12	HOLD DOWN PLT, CLOSED & DOE, GTCH5 SER, 304 SS	1	1	1	1	1	1							1	1	1	1	1	1						
	HOLD DOWN PLT, CLOSED & DOE, GTCH5 SER, 316 SS							1	1	1	1	1	1							1	1	1	1	1	
13	HOLD DOWN FIN CTG, GTCH5 SER, 304 SS	1	1	1	1	1	1							1	1	1	1	1	1						
	HOLD DOWN FIN CTG, GTCH5 SER, 316 SS							1	1	1	1	1	1							1	1	1	1	1	
14	TIE ROD NUT, GTCHB SERIES, 304 SS	1	1	1	1	1	1							1	1	1	1	1	1						
	TIE ROD NUT, GTCHB SERIES, 316 SS							1	1	1	1	1	1							1	1	1	1	1	
15	PIPE PLUG, 1" HEX HEAD, 304 SS	2	2	2	2	2	2							2	2	2	2	2	2						
	PIPE PLUG, 1" HEX HEAD, 316 SS							2	2	2	2	2	2							2	2	2	2	2	
16	PIPE PLUG, 1/4" HEX HEAD, 304 SS	3	3	3	3	3	3							3	3	3	3	3	3						
	PIPE PLUG, 1/4" HEX HEAD, 316 SS							3	3	3	3	3	3							3	3	3	3	3	
A 17	KIT, CLEVIS PEN w/ RETAINING RINGS, 15-32 x 2.50"	1	1	1	1	1	1	1	1	1	1	1	1	1	1	1	1	1	1	1	1	1	1	1	

SIZE B	DWG. NO. CS096	REV B
SCALE: 1:1	WEIGHT:	SHEET 2 OF 3



SIZE B	DWG. NO. CS096	REV B
SCALE: 1:6	WEIGHT:	SHEET 3 OF 3