

TABULATION		
PART NO.	DESCRIPTION	GLOBAL FILTER MODEL NO.
21163-01	FLTR HSG ASSY, GTCH7 SER, 20", 2F, 304 SS, GB, CODE	GTCH722F2415GBU
21163-02	FLTR HSG ASSY, GTCH7 SER, 20", 2F, 304 SS, GB	GTCH722F2415GB
21163-03	FLTR HSG ASSY, GTCH7 SER, 30", 2F, 304 SS, GB, CODE	GTCH732F2415GBU
21163-04	FLTR HSG ASSY, GTCH7 SER, 30", 2F, 304 SS, GB	GTCH732F2415GB
21163-05	FLTR HSG ASSY, GTCH7 SER, 40", 2F, 304 SS, GB, CODE	GTCH742F2415GBU
21163-06	FLTR HSG ASSY, GTCH7 SER, 40", 2F, 304 SS, GB	GTCH742F2415GB
21163-07	FLTR HSG ASSY, GTCH7 SER, 20", 2F, 316 SS, GB, CODE	GTCH722F2615GBU
21163-08	FLTR HSG ASSY, GTCH7 SER, 20", 2F, 316 SS, GB	GTCH722F2615GB
21163-09	FLTR HSG ASSY, GTCH7 SER, 30", 2F, 316 SS, GB, CODE	GTCH732F2615GBU
21163-10	FLTR HSG ASSY, GTCH7 SER, 30", 2F, 316 SS, GB	GTCH732F2615GB
21163-11	FLTR HSG ASSY, GTCH7 SER, 40", 2F, 316 SS, GB, CODE	GTCH742F2615GBU
21163-12	FLTR HSG ASSY, GTCH7 SER, 40", 2F, 316 SS, GB	GTCH742F2615GB
21163-13	FLTR HSG ASSY, GTCH7 SER, 20", 2F, 304 SS, EP, CODE	GTCH722F2415EPU
21163-14	FLTR HSG ASSY, GTCH7 SER, 20", 2F, 304 SS, EP	GTCH722F2415EP
21163-15	FLTR HSG ASSY, GTCH7 SER, 30", 2F, 304 SS, EP, CODE	GTCH732F2415EPU
21163-16	FLTR HSG ASSY, GTCH7 SER, 30", 2F, 304 SS, EP	GTCH732F2415EP
21163-17	FLTR HSG ASSY, GTCH7 SER, 40", 2F, 304 SS, EP, CODE	GTCH742F2415EPU
21163-18	FLTR HSG ASSY, GTCH7 SER, 40", 2F, 304 SS, EP	GTCH742F2415EP
21163-19	FLTR HSG ASSY, GTCH7 SER, 20", 2F, 316 SS, EP, CODE	GTCH722F2615EPU
21163-20	FLTR HSG ASSY, GTCH7 SER, 20", 2F, 316 SS, EP	GTCH722F2615EP
21163-21	FLTR HSG ASSY, GTCH7 SER, 30", 2F, 316 SS, EP, CODE	GTCH732F2615EPU
21163-22	FLTR HSG ASSY, GTCH7 SER, 30", 2F, 316 SS, EP	GTCH732F2615EP
21163-23	FLTR HSG ASSY, GTCH7 SER, 40", 2F, 316 SS, EP, CODE	GTCH742F2615EPU
21163-24	FLTR HSG ASSY, GTCH7 SER, 40", 2F, 316 SS, EP	GTCH742F2615EP
21163-25	FLTR HSG ASSY, GTCH7 SER, 10", 2F, 304 SS, GB, CODE	GTCH712F2415GBU
21163-26	FLTR HSG ASSY, GTCH7 SER, 10", 2F, 304 SS, GB	GTCH712F2415GB
21163-27	FLTR HSG ASSY, GTCH7 SER, 10", 2F, 316 SS, GB, CODE	GTCH712F2615GBU
21163-28	FLTR HSG ASSY, GTCH7 SER, 10", 2F, 316 SS, GB	GTCH712F2615GB
21163-29	FLTR HSG ASSY, GTCH7 SER, 10", 2F, 304 SS, EP, CODE	GTCH712F2415EPU
21163-30	FLTR HSG ASSY, GTCH7 SER, 10", 2F, 304 SS, EP	GTCH712F2415EP
21163-31	FLTR HSG ASSY, GTCH7 SER, 10", 2F, 316 SS, EP, CODE	GTCH712F2615EPU
21163-32	FLTR HSG ASSY, GTCH7 SER, 10", 2F, 316 SS, EP	GTCH712F2615EP

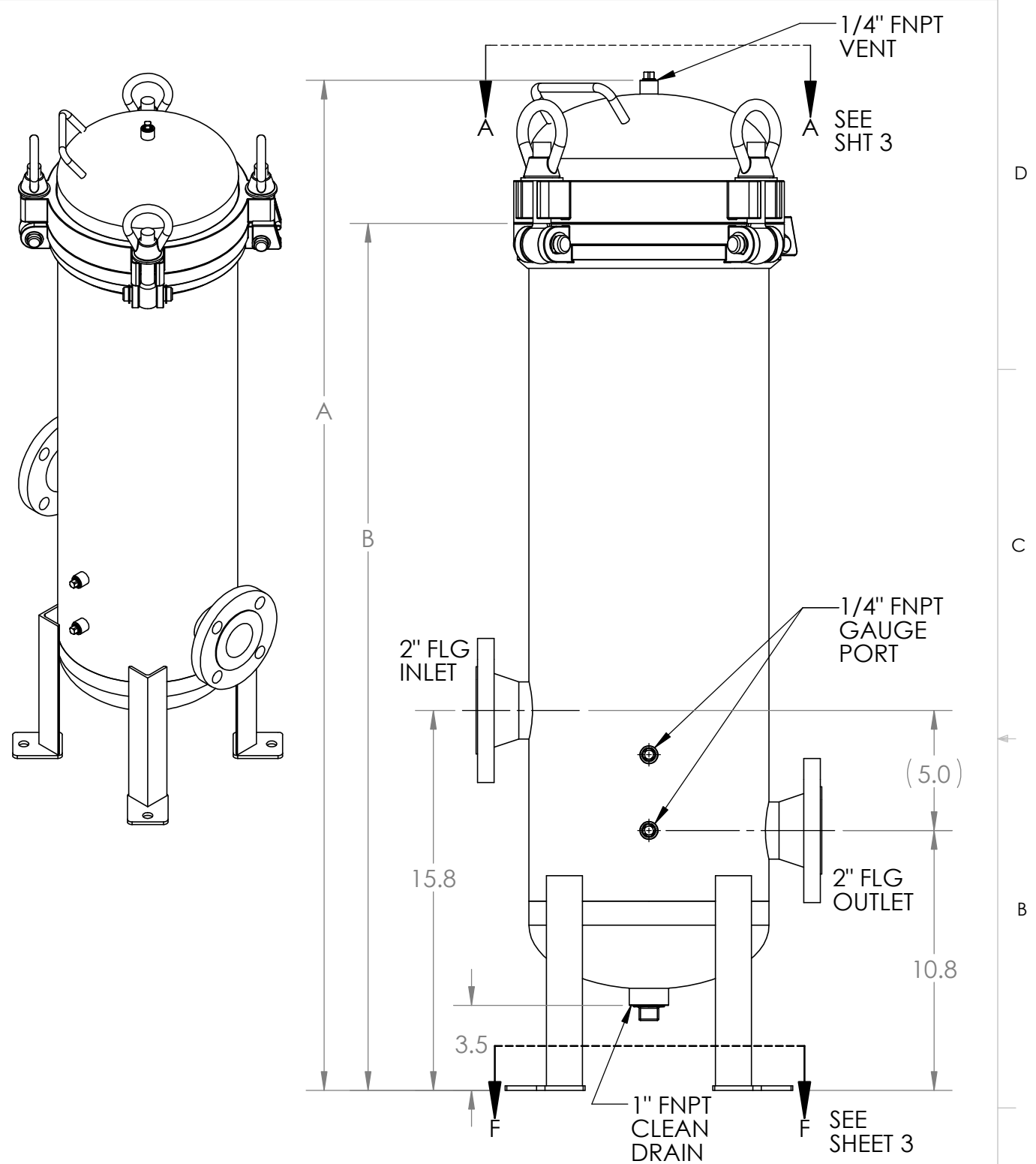
SHIPPING WEIGHT AND SIZE MAY DIFFER FROM STATED VALUES DUE TO PALLETIZING AND QUANTITY CONSIDERATIONS

VESSEL SIZE	BOXED WEIGHT (LBS)	BOX SIZE (INCHES)
GTCH72-		14 x 14 x 40
GTCH73-		14 x 14 x 50
GTCH74-		14 x 14 x 60

DIMENSIONS		
MODEL NO.	A (in)	B (in)
GTCH72-	41.7	36.2
GTCH73-	51.7	46.2
GTCH74-	61.7	56.2

- NOTES:
- UNLESS TOLERANCES ARE INDICATED, ALL DIMENSIONS ARE REFERENCE.
 - SEE SHEET 2 FOR BILL OF MATERIALS.
 - ALL MODELS COMPLY WITH REQUIREMENTS FOR DESIGN AND CONSTRUCTION IN ACCORDANCE WITH THE ASME BOILER & PRESSURE VESSEL CODE, SECTION VIII, DIVISION 1. MODELS BEARING THE "U" OR "UM" STAMP ARE REGISTERED WITH THE NATIONAL BOARD OF BOILER AND PRESSURE VESSEL INSPECTORS.

PROPRIETARY AND CONFIDENTIAL
 THE INFORMATION CONTAINED IN THIS DRAWING IS THE SOLE PROPERTY OF GLOBAL FILTER LLC. ANY REPRODUCTION IN PART OR AS A WHOLE WITHOUT THE WRITTEN PERMISSION OF GLOBAL FILTER LLC IS PROHIBITED.



REFERENCE ENGINEERING DRAWING 21163

				GLOBAL FILTER LLC TITLE: FLTR HSG ASSY, 2" FLG SISO GTCH7 SER, TAB	
		MATERIAL SEE TABULATION TABLE			
B	EC200624-01	FINISH SEE TABULATION TABLE		SIZE	DWG. NO.
A	EC150219-02	DRAWN BY		B	CS097
REV	EC NUMBER	NAME	DATE		
EC HISTORY		ENG APPR.	EG	3-2-15	REV
				SCALE: 1:6	WEIGHT: 99 lbs.
				SHEET 1 OF 4	

8

7

6

5

4

3

2

1

8

7

6

5

4

3

2

1

BILL OF MATERIALS

ITEM	DESCRIPTION	21163-xx																							
		-01 QTY	-02 QTY	-03 QTY	-04 QTY	-05 QTY	-06 QTY	-07 QTY	-08 QTY	-09 QTY	-10 QTY	-11 QTY	-12 QTY	-13 QTY	-14 QTY	-15 QTY	-16 QTY	-17 QTY	-18 QTY	-19 QTY	-20 QTY	-21 QTY	-22 QTY	-23 QTY	-24 QTY
1	FLTR HSG WLDMNT, 2" FLG SISO GTCH7 SER, 20" 304 SS	1	1											1	1										
	FLTR HSG WLDMNT, 2" FLG SISO GTCH7 SER, 30" 304 SS			1	1											1	1								
	FLTR HSG WLDMNT, 2" FLG SISO GTCH7 SER, 40" 304 SS					1	1											1	1						
	FLTR HSG WLDMNT, 2" FLG SISO GTCH7 SER, 20" 316 SS							1	1											1	1				
	FLTR HSG WLDMNT, 2" FLG SISO GTCH7 SER, 30" 316 SS									1	1											1	1		
	FLTR HSG WLDMNT, 2" FLG SISO GTCH7 SER, 40" 316 SS											1	1											1	1
	FLTR HSG WLDMNT, 2" FLG SISO GTCH7 SER, 10" 304 SS																								
	FLTR HSG WLDMNT, 2" FLG SISO GTCH7 SER, 10" 316 SS																								
2	O-RING, METRIC 258 ID X 7 CS, NITRILE	1	1	1	1	1	1	1	1	1	1	1	1	1	1	1	1	1	1	1	1	1	1	1	
3	LID WELDMENT, GTCH7 SERIES, 304 SS	1	1	1	1	1	1							1	1	1	1	1	1						
	LID WELDMENT, GTCH7 SERIES, 316 SS							1	1	1	1	1	1							1	1	1	1	1	
4	KIT, CLEVIS PEN w/ RETAINING RINGS, .75 x 2.0"	3	3	3	3	3	3	3	3	3	3	3	3	3	3	3	3	3	3	3	3	3	3	3	
5	EYE BOLT, 3/4"-10	4	4	4	4	4	4	4	4	4	4	4	4	4	4	4	4	4	4	4	4	4	4	4	
6	WASHER, 3/4" FLAT, SS	4	4	4	4	4	4	4	4	4	4	4	4	4	4	4	4	4	4	4	4	4	4	4	
7	EYE NUT, 3/4"-10	4	4	4	4	4	4	4	4	4	4	4	4	4	4	4	4	4	4	4	4	4	4	4	
8	V-POST, GTCHB SERIES, 20", 304 SS	7	7											7	7										
	V-POST, GTCHB SERIES, 30", 304 SS			7	7											7	7								
	V-POST, GTCHB SERIES, 40", 304 SS					7	7											7	7						
	V-POST, GTCHB SERIES, 20", 316 SS							7	7											7	7				
	V-POST, GTCHB SERIES, 30", 316 SS									7	7											7	7		
	V-POST, GTCHB SERIES, 40", 316 SS											7	7											7	7
9	TIE ROD, GTCH SERIES, 20", 304 SS	2	2											2	2										
	TIE ROD, GTCH SERIES, 30", 304 SS			2	2											2	2								
	TIE ROD, GTCH SERIES, 40", 304 SS					2	2											2	2						
	TIE ROD, GTCH SERIES, 20", 316 SS							2	2											2	2				
	TIE ROD, GTCH SERIES, 30", 316 SS									2	2											2	2		
	TIE ROD, GTCH SERIES, 40", 316 SS											2	2											2	2
10	SPRING ASSEMBLY, CARTRIDGE VESSELS, 304 SS	7	7	7	7	7	7							7	7	7	7	7	7						
	SPRING ASSEMBLY, CARTRIDGE VESSELS, 316 SS							7	7	7	7	7	7							7	7	7	7	7	
11	HOLD DOWN PLT POST w/ EXT RET RINGS KIT, 304 SS	2	2	2	2	2	2							2	2	2	2	2	2						
	HOLD DOWN PLT POST w/ EXT RET RINGS KIT, 316 SS							2	2	2	2	2	2							2	2	2	2	2	
12	HOLD DOWN PLT, CLOSED & DOE, GTCH7 SER, 304 SS	1	1	1	1	1	1							1	1	1	1	1	1						
	HOLD DOWN PLT, CLOSED & DOE, GTCH7 SER, 316 SS							1	1	1	1	1	1							1	1	1	1	1	
13	HOLD DOWN FIN CTG, GTCH7 SER, 304 SS	1	1	1	1	1	1							1	1	1	1	1	1						
	HOLD DOWN FIN CTG, GTCH7 SER, 316 SS							1	1	1	1	1	1							1	1	1	1	1	
14	TIE ROD NUT, GTCHB SERIES, 304 SS	2	2	2	2	2	2							2	2	2	2	2	2						
	TIE ROD NUT, GTCHB SERIES, 316 SS							2	2	2	2	2	2							2	2	2	2	2	
15	PIPE PLUG, 1" HEX HEAD, 304 SS	2	2	2	2	2	2							2	2	2	2	2	2						
	PIPE PLUG, 1" HEX HEAD, 316 SS							2	2	2	2	2	2							2	2	2	2	2	
16	PIPE PLUG, 1/4" HEX HEAD, 304 SS	3	3	3	3	3	3							3	3	3	3	3	3						
	PIPE PLUG, 1/4" HEX HEAD, 316 SS							3	3	3	3	3	3							3	3	3	3	3	
17	KIT, CLEVIS PEN w/ RETAINING RINGS, .75 x 2.75"	1	1	1	1	1	1	1	1	1	1	1	1	1	1	1	1	1	1	1	1	1	1	1	

D
C
B
A

D
C
B
A

SIZE B	DWG. NO. CS097	REV B
SCALE: 1:1	WEIGHT:	SHEET 2 OF 4

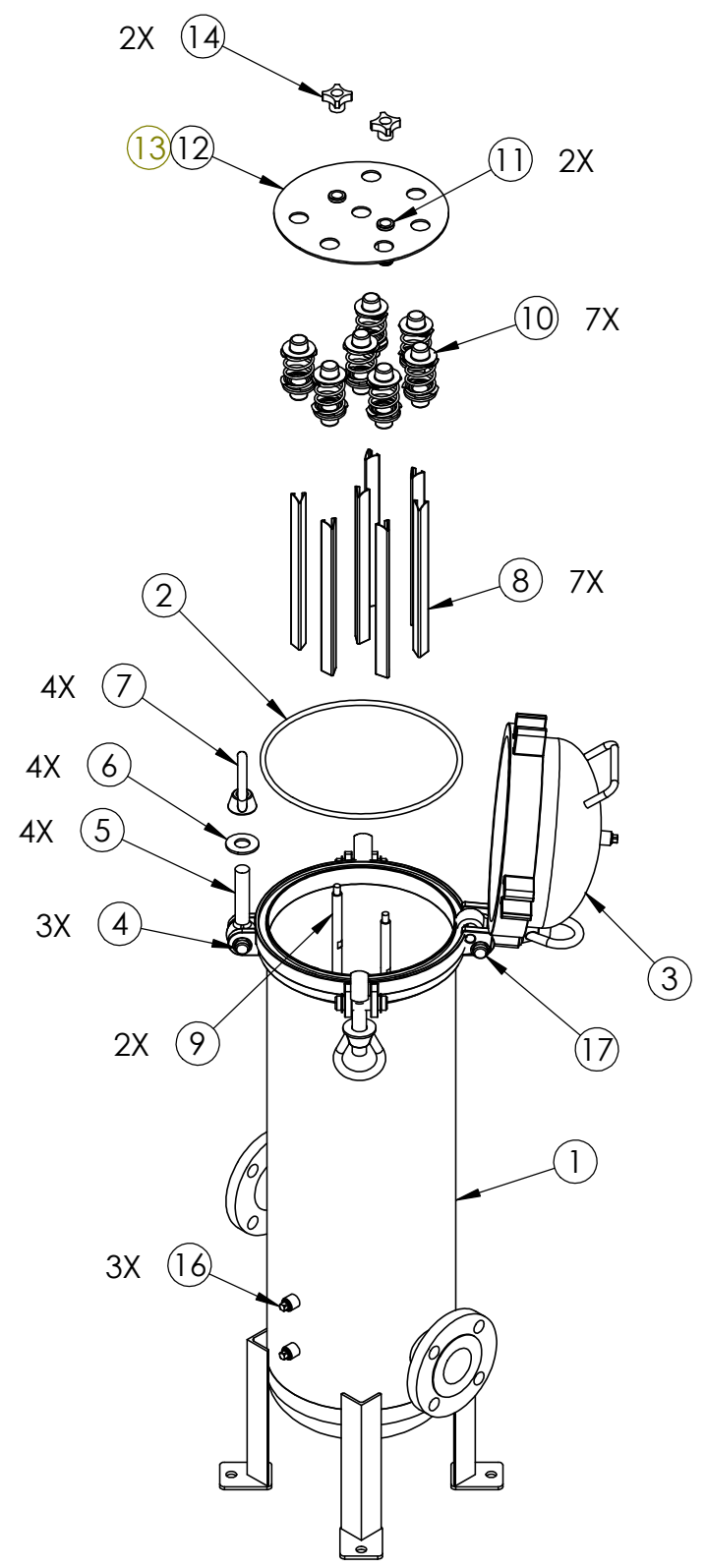
BILL OF MATERIALS

ITEM	DESCRIPTION	21163-xx							
		-25 QTY	-26 QTY	-27 QTY	-28 QTY	-29 QTY	-30 QTY	-31 QTY	-32 QTY
1	FLTR HSG WLDMNT, 2" FLG SISO GTCH7 SER, 20" 304 SS								
	FLTR HSG WLDMNT, 2" FLG SISO GTCH7 SER, 30" 304 SS								
	FLTR HSG WLDMNT, 2" FLG SISO GTCH7 SER, 40" 304 SS								
	FLTR HSG WLDMNT, 2" FLG SISO GTCH7 SER, 20" 316 SS								
	FLTR HSG WLDMNT, 2" FLG SISO GTCH7 SER, 30" 316 SS								
	FLTR HSG WLDMNT, 2" FLG SISO GTCH7 SER, 40" 316 SS								
	FLTR HSG WLDMNT, 2" FLG SISO GTCH7 SER, 10" 304 SS	1	1			1	1		
	FLTR HSG WLDMNT, 2" FLG SISO GTCH7 SER, 10" 316 SS			1	1			1	1
2	O-RING, METRIC 258 ID X 7 CS, NITRILE	1	1	1	1	1	1	1	1
3	LID WELDMNT, GTCH7 SERIES, 304 SS	1	1			1	1		
	LID WELDMNT, GTCH7 SERIES, 316 SS			1	1			1	1
4	KIT, CLEVIS PEN w/ RETAINING RINGS, .75 x 2.0"	3	3	3	3	3	3	3	3
5	EYE BOLT, 3/4"-10	4	4	4	4	4	4	4	4
6	WASHER, 3/4" FLAT, SS	4	4	4	4	4	4	4	4
7	EYE NUT, 3/4"-10	4	4	4	4	4	4	4	4
8	V-POST, GTCHB SERIES, 20", 304 SS								
	V-POST, GTCHB SERIES, 30", 304 SS								
	V-POST, GTCHB SERIES, 40", 304 SS								
	V-POST, GTCHB SERIES, 20", 316 SS								
	V-POST, GTCHB SERIES, 30", 316 SS								
	V-POST, GTCHB SERIES, 40", 316 SS								
	V-POST, GTCHB SERIES, 10", 304 SS	7	7			7	7		
	V-POST, GTCHB SERIES, 10", 316 SS			7	7			7	7
9	TIE ROD, GTCH SERIES, 20", 304 SS								
	TIE ROD, GTCH SERIES, 30", 304 SS								
	TIE ROD, GTCH SERIES, 40", 304 SS								
	TIE ROD, GTCH SERIES, 20", 316 SS								
	TIE ROD, GTCH SERIES, 30", 316 SS								
	TIE ROD, GTCH SERIES, 40", 316 SS								
	TIE ROD, GTCH SERIES, 10", 304 SS	2	2			2	2		
	TIE ROD, GTCH SERIES, 10", 316 SS			2	2			2	2
10	SPRING ASSEMBLY, CARTRIDGE VESSELS, 304 SS	7	7			7	7		
	SPRING ASSEMBLY, CARTRIDGE VESSELS, 316 SS			7	7			7	7
11	HOLD DOWN PLT POST w/ EXT RET RINGS KIT, 304 SS	2	2			2	2		
	HOLD DOWN PLT POST w/ EXT RET RINGS KIT, 316 SS			2	2			2	2
12	HOLD DOWN PLT, CLOSED & DOE, GTCH7 SER, 304 SS	1	1			1	1		
	HOLD DOWN PLT, CLOSED & DOE, GTCH7 SER, 316 SS			1	1			1	1
13	HOLD DOWN FIN CTG, GTCH7 SER, 304 SS	1	1			1	1		
	HOLD DOWN FIN CTG, GTCH7 SER, 316 SS			1	1			1	1
14	TIE ROD NUT, GTCHB SERIES, 304 SS	2	2			2	2		
	TIE ROD NUT, GTCHB SERIES, 316 SS			2	2			2	2
15	PIPE PLUG, 1" HEX HEAD, 304 SS	2	2			2	2		
	PIPE PLUG, 1" HEX HEAD, 316 SS			2	2			2	2
16	PIPE PLUG, 1/4" HEX HEAD, 304 SS	3	3			3	3		
	PIPE PLUG, 1/4" HEX HEAD, 316 SS			3	3			3	3
17	KIT, CLEVIS PEN w/ RETAINING RINGS, .75 x 2.75"	1	1	1	1	1	1	1	1

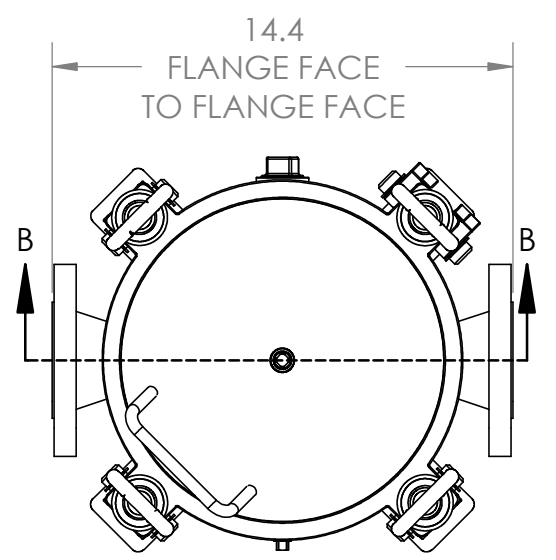
SIZE B	DWG. NO. CS097	REV B
SCALE: 1:1	WEIGHT:	SHEET 3 OF 4

8 7 6 5 4 3 2 1

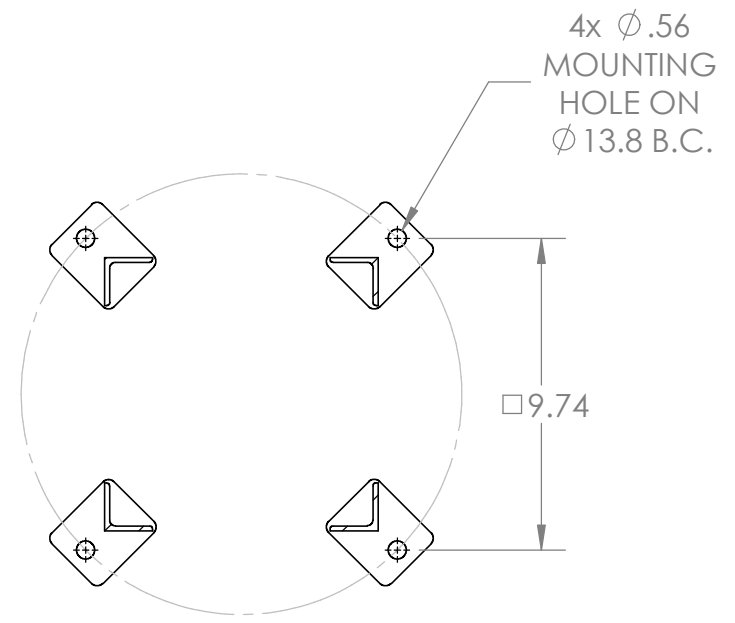
D
C
B
A



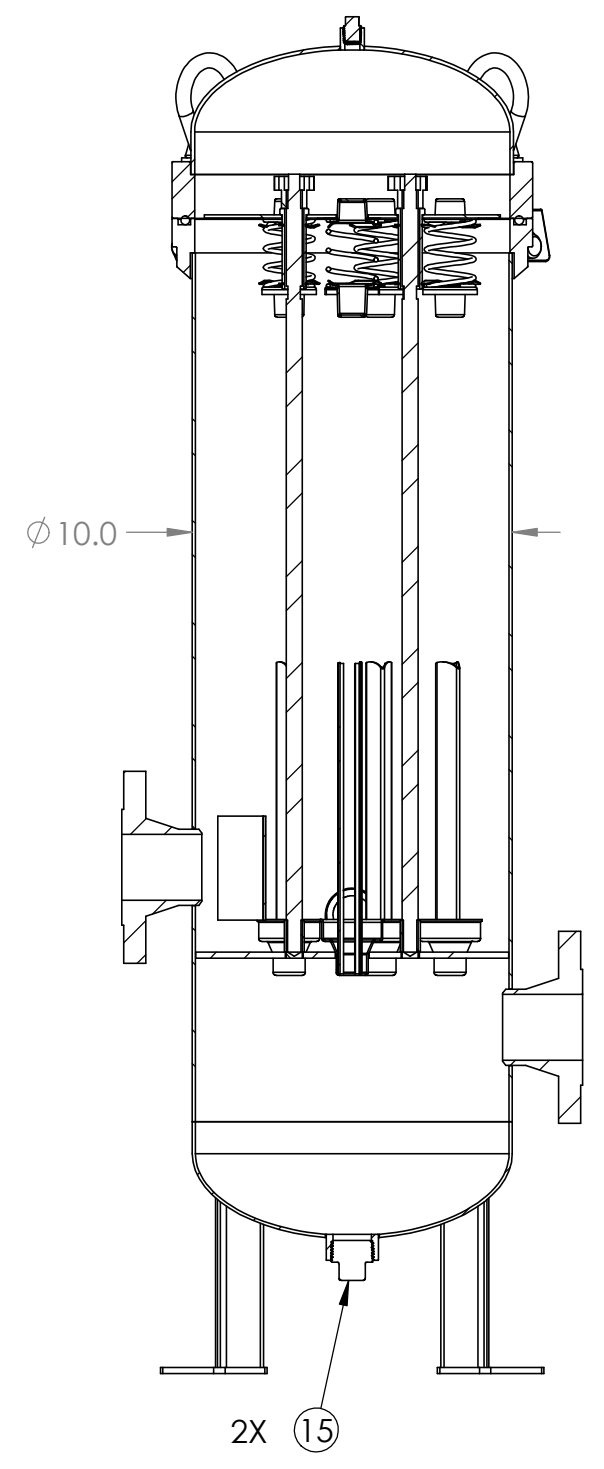
SCALE 1 :10



VIEW A-A



SECTION F-F



SECTION B-B

SIZE B	DWG. NO. CS097	REV B
SCALE: 1:6	WEIGHT:	SHEET 4 OF 4

8 7 6 5 4 3 2 1